

## Isolation thermique contre le froid pour échangeurs soudés par fusion

Alfa Laval offers a wide range of accessories to our products. This leaflet describes the IN-C min -45°C - Type P cooling insulation. Type P is a flexible cooling insulation in soft material which is easy to install and adjust to your specific heat exchanger.

### Description

Prefabricated insulation jacket with 19 mm closed cell expanded elastomer and with 0.5 mm external PVC protection layer.

The diffusion tight insulation is intended for Alfa Laval brazed and fusion-bonded plate heat exchangers and is suitable for cooling and low temperatures.

The insulation can be combined with a rigid foot.

Max temperature: 100°C

Min temperature: -45°C

The insulation kit is composed by three parts: one lateral and two back and front pieces together with an installation manual.

### Advantages

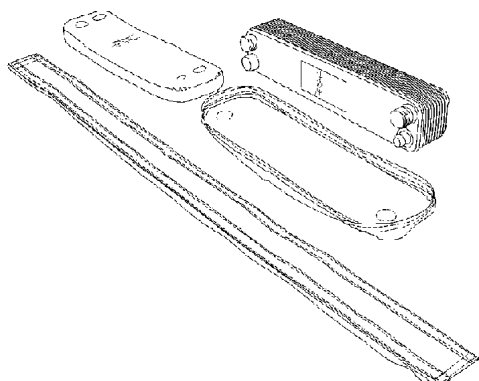
- Easy to install
- Can be mounted also after the connections have been mounted, thanks to the pre-cut S3 and S4 holes
- Available from stock
- Suitable for 6 connections thanks to the pre-cut T1 and T2 holes



Properties	Reference values	Reference regulation
<b>Density</b>	• 60 kg/m <sup>3</sup>	DIN 53420
<b>Working temperatures</b>		
Max. temperature	+100°C	
Min. temperature	-45°C	
<b>Thermal conductivity <math>\lambda</math></b>		
-40°C	0.028 W/(m•K)	DIN 56613
-20°C	0.030 W/(m•K)	DIN 56613
0°C	0.033 W/(m•K)	DIN 56613
+20°C	0.036 W/(m•K)	DIN 56613
+50°C	0.040 W/(m•K)	DIN 56613
<b>Permeability</b>		
Resistance to the steam diffusion $\mu$	> 7000	DIN 52616
<b>Fire resistance</b>		
Italy	Class 1	UNI 9174 - UNI 8457
France	Class M1	AFNOR NF P92 501
Sweden	Klass II	NTF 036
Norway	Klass II	NTF 036
Finland	Klass II	NTF 036
Finland	Klass 1	NTF002
Switzerland	BKZ	-
<b>Ozone resistance</b>	Excellent	UNI 4905
<b>Dimensional stability</b>	0.3 - 0.5% shrinkage	

### Complete insulation Type P set

An installation manual is also included in the set.



### Easy to install

It is not needed to use special tools.

