

Pieds et supports pour échangeurs à plaques brasées

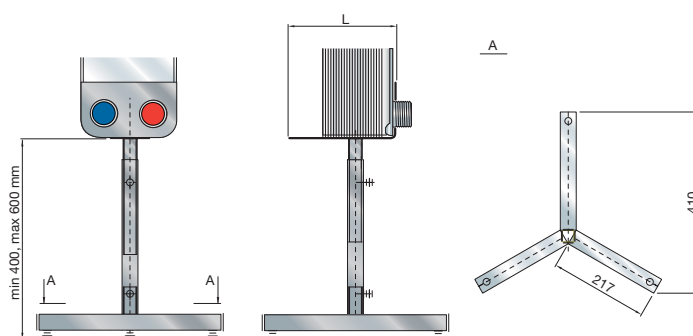
Alfa Laval offers a wide range of accessories to our products. Below feet and floor support kits are available from stock.

Floor support kit, adjustable foot

Material: Black painted steel

| CB30, CB60, AlfaNova 27 (Fits connections 1¼" and smaller) | | |
|--|--------|--------------|
| Nbr. of plates | L (mm) | Item id |
| 10-60 | 45 | 34560 8980 1 |
| 61-100 | 130 | 34560 8980 2 |
| 101-150 | 200 | 34560 8980 3 |

The adjustable foot can be combined with heating insulations (min. 22 plates).

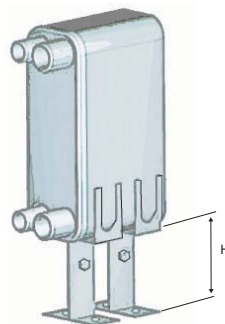


Floor support kit

Material: Galvanized steel

| CB30, CB60, AlfaNova 27 | | | |
|-------------------------|--------|--------------|--------------|
| Nbr. of plates | H (mm) | Item id | Kit contains |
| Max. 30 plates | 124 | 34568 5320 1 | 1 foot |
| Max. 150 plates | 124 | 34568 5320 2 | 2 feet |

The floor kit can be combined with heating insulations.



Rigid feet

Require studbolts on the heat exchanger.

Material: Galvanized steel

| Model | X (mm) | Y (mm) | Z (mm) | Item id |
|-----------------------|---------------------|--------|---------|-----------------------------|
| AlfaNova 76 | | | | |
| CB110, CB112, AC220EQ | 195 | 269 | A + 180 | 34565 4450 1 |
| CB200, AlfaNova 200 | 185 | 400 | A + 160 | Incl. in the heat exchanger |
| CB300 | 217 (S2) / 195 (S3) | 466 | A + 260 | Incl. in the heat exchanger |
| CB400, AlfaNova 400 | 212 | 466 | A + 260 | Incl. in the heat exchanger |

The rigid feet can be combined with heating and cooling insulations.

