

Pieds et supports pour échangeurs soudés par fusion

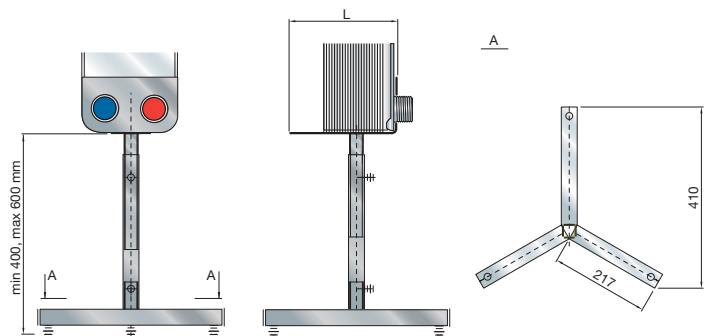
Alfa Laval offers a wide range of accessories to our products. Below feet and floor support kits are available from stock.

Floor support kit, adjustable foot

Material: Black painted steel

CB30, CB60, AlfaNova 27 (Fits connections 1¼" and smaller)		
Nbr. of plates	L (mm)	Item id
10-60	45	34560 8980 1
61-100	130	34560 8980 2
101-150	200	34560 8980 3

The adjustable foot can be combined with heating insulations (min. 22 plates).

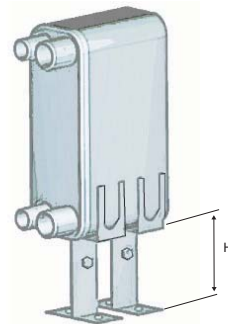


Floor support kit

Material: Galvanized steel

CB30, CB60, AlfaNova 27			
Nbr. of plates	H (mm)	Item id	Kit contains
Max. 30 plates	124	34568 5320 1	1 foot
Max. 150 plates	124	34568 5320 2	2 feet

The floor kit can be combined with heating insulations.



Rigid feet

Require studbolts on the heat exchanger.

Material: Galvanized steel

Model	X (mm)	Y (mm)	Z (mm)	Item id
AlfaNova 76				
CB110, CB112, AC220EQ	195	269	A + 180	34565 4450 1
CB200, AlfaNova 200	185	400	A + 160	Incl. in the heat exchanger
CB300	217 (S2) / 195 (S3)	466	A + 260	Incl. in the heat exchanger
CB400, AlfaNova 400	212	466	A + 260	Incl. in the heat exchanger

The rigid feet can be combined with heating and cooling insulations.

