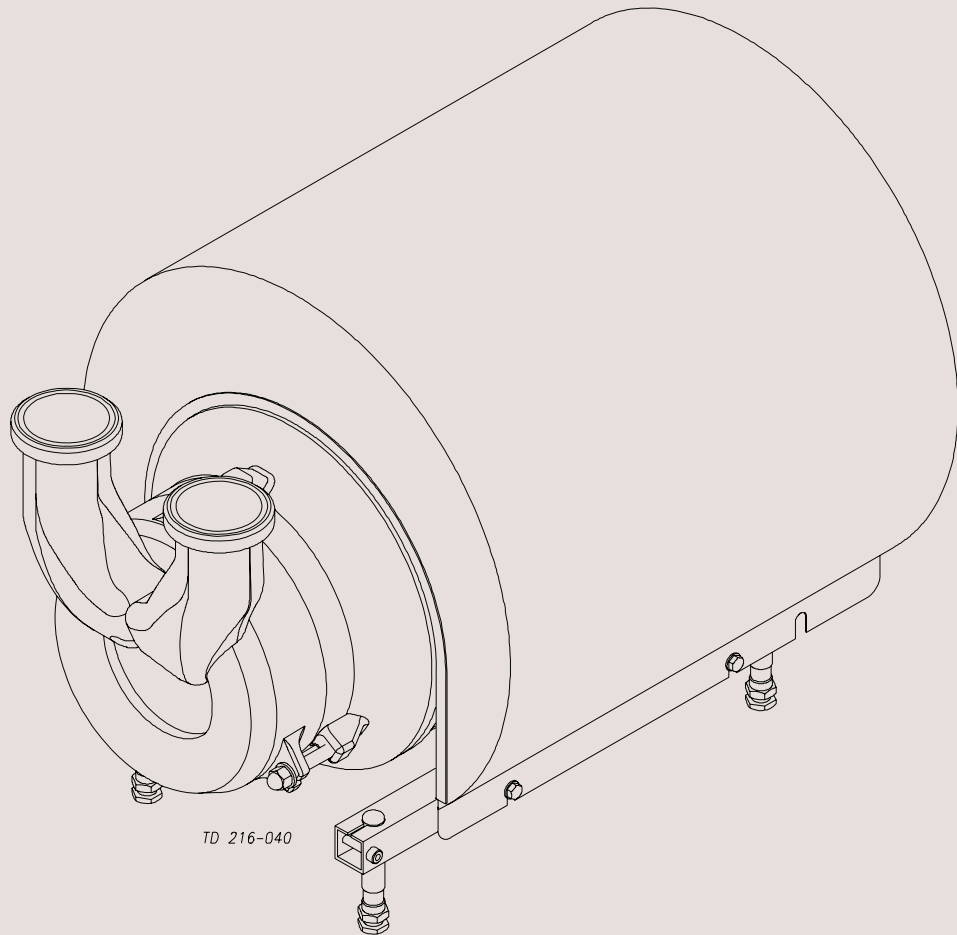




Spare Parts

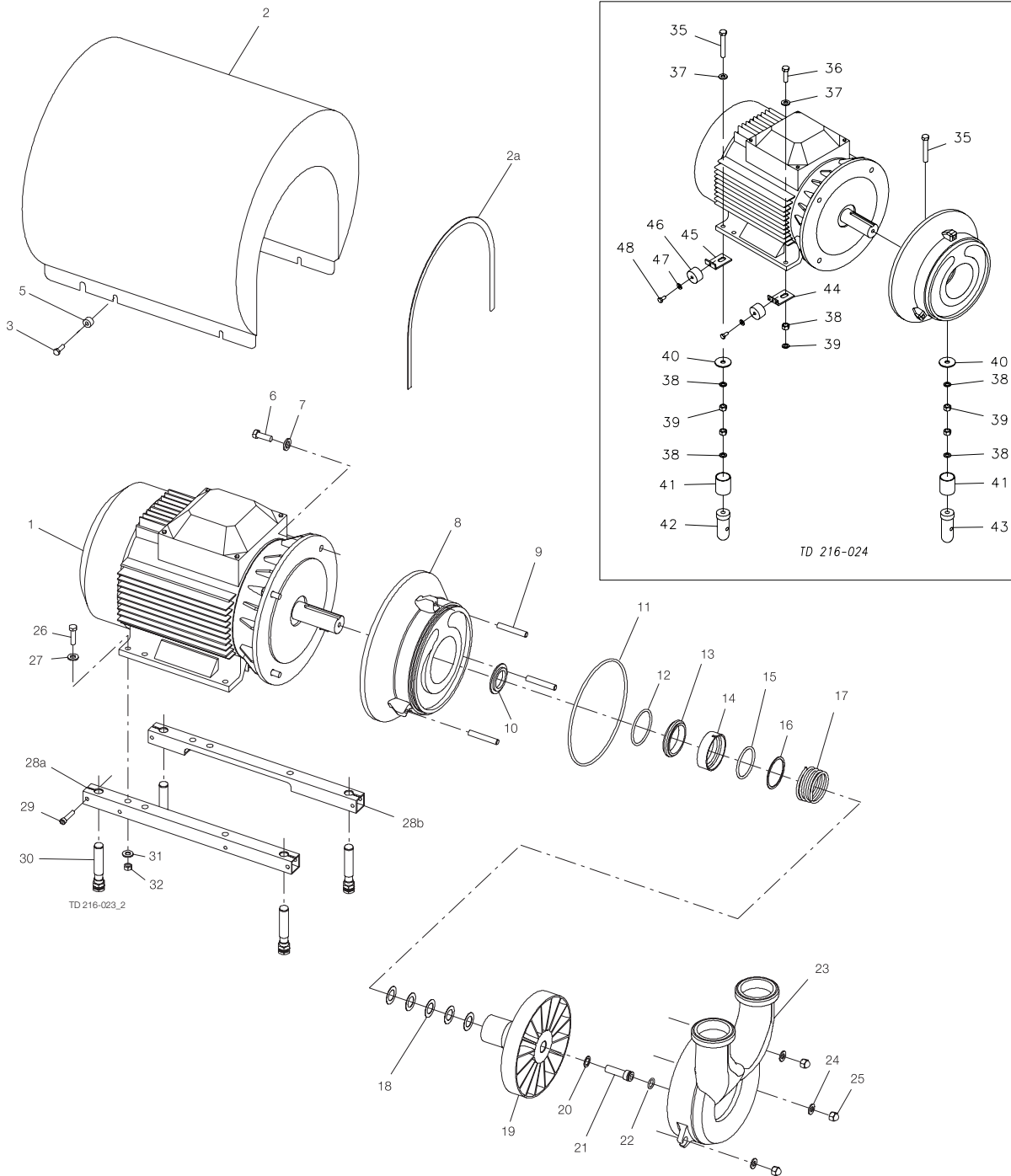
MR-300 Liquid-Ring Pump



The information herein is correct at the time of issue but may be subject to change without prior notice

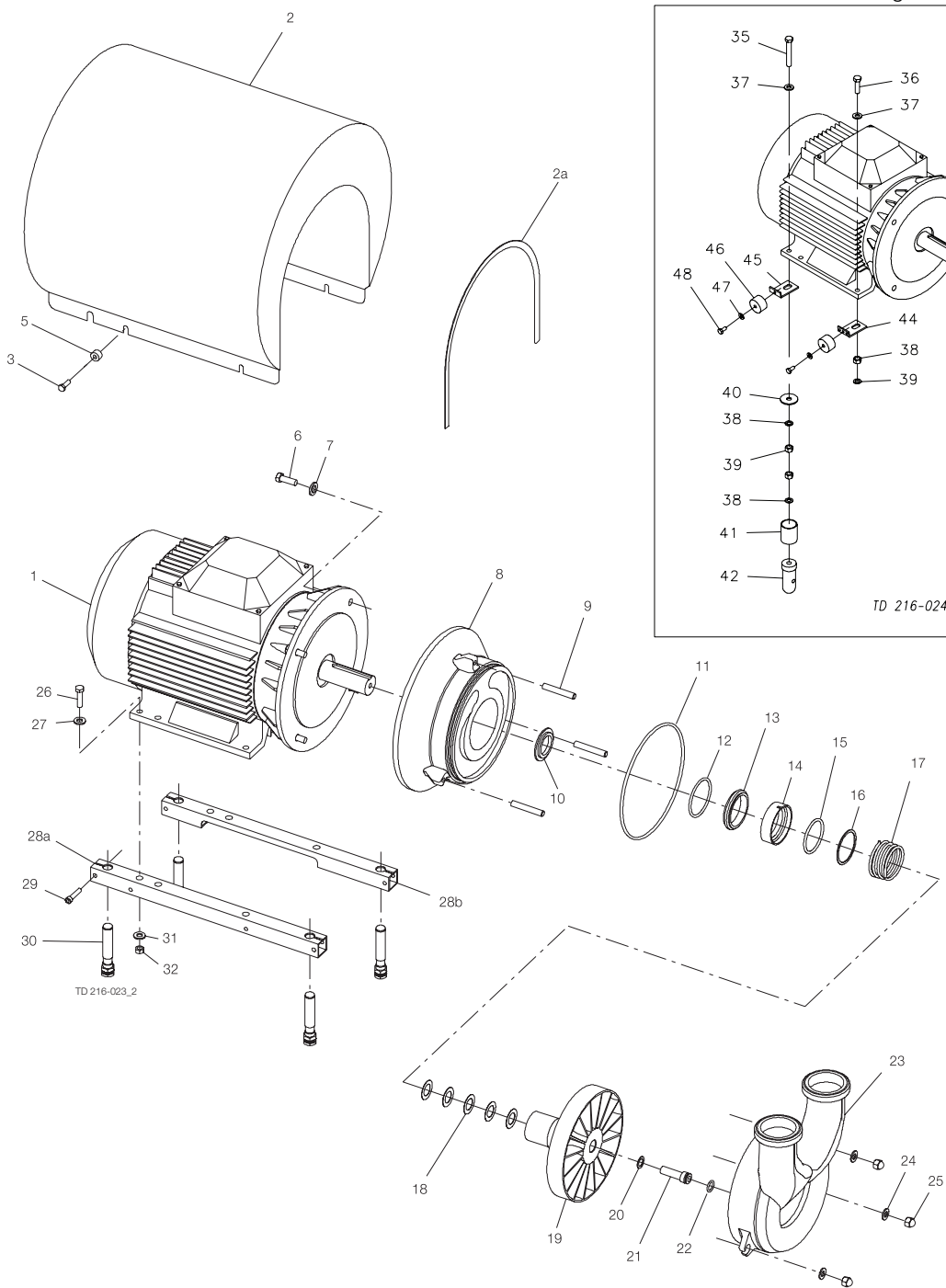
1. MR-300 Liquid-Ring Pump 4

Older legs



MR-300 Liquid-Ring Pump

Pos	Qty	Denomination	15 kW	18.5 kW
1	1	Motor, 220/380 V	31801-8504-1	31801-8505-1
	1	Motor, 380/660 V	31801-8504-2	31801-8505-2
	1	Motor, 415 V	31801-8504-3	31801-8505-3
2	1	Shroud, (Period 9409-)	9612-1390-05	9612-1390-06
	1	Shroud, (Period -9409)	31438-0347-1	31438-0347-1
2a	1	Edge list, (Period 9409-)	9612-1338-05	9612-1338-06
	1	Edge list, (Period -9409)	31460-0111-7	31460-0111-7
3	4	Screw	9611-99-3241	9611-99-3242
5	4	Distance sleeve	31438-0390-2	31438-0390-1
6	4	Screw	9611-99-2511	9611-99-2511
7	4	Spring washer	9611-99-1886	9611-99-1886
8	1	Pump casing	31438-0341-1	31438-0341-1
9	3	Stud bolt, (Period 9501-)	9611-99-2994	9611-99-2994
	3	Stud bolt, (Period -9501)	31457-0051-2	31457-0051-2
10	1	Thrower	31460-0375-2	31460-0375-1
11 □	1	O-ring, EPDM (Standard)	31438-0366-1	31438-0366-1
	1	O-ring, NBR	31438-0366-2	31438-0366-2
	1	O-ring, FPM	31438-0366-3	31438-0366-3
18	1-2	Shims, 0.1 mm	31460-0012-4	31460-0012-5
	4-5	Shims, 0.5 mm	31460-0011-4	31460-0011-5
19	1	Impeller	31438-0344-1	31438-0344-2
20	1	Washer for impeller screw	9611-99-1746	9611-99-1746
21	1	Impeller screw	31438-0345-1	31438-0345-1
22 □	1	O-ring, EPDM (Standard)	31438-0367-1	31438-0367-1
	1	O-ring, NBR	31438-0367-2	31438-0367-2
	1	O-ring, FPM	31438-0367-3	31438-0367-3
23	1	Cover, 76.2 mm in-/outlet + fitting		
	1	ISO male	31438-0342-1	31438-0342-1
	1	SMS	31438-0342-2	31438-0342-2
	1	DIN	31438-0342-3	31438-0342-3
	1	ISO clamp	31438-0342-4	31438-0342-4
	1	BS	31438-0342-5	31438-0342-5
24	3	Washer (Period 9501-)	9611-99-0706	9611-99-0706
25	3	Cap nut (Period 9501-)	221851-15	221851-15
25a	1	Handle, (Period -9501) (Long)	31438-0343-1	31438-0343-1
	2	Handle, (Period -9501)	31438-0343-2	31438-0343-2
26	4	Screw (Period 9409-)	9611-99-1834	9611-99-1834
27	4	Washer (Period 9409-)	9611-99-0706	9611-99-0706
28a	2	Support bar, right(Period 9409-)	9612-1322-03	9612-1322-04
28b	2	Support bar, left(Period 9409-)	9612-1323-03	9612-1323-04
29	4	Screw, (Period 9711-)	9611-99-1126	9611-99-1126
	4	Screw, (Period 9409-9711)	9611-99-1907	9611-99-1907
	4	Adjustable leg (Period 9409-)	9612-3967-01	9612-3967-01
31	4	Spring washer (Period 9409-)	9611-99-0676	9611-99-0676
32	4	Nut	9611-99-0587	9611-99-0587
Older legs				
35	3	Screw (Period -9409)	9611-99-0586	9611-99-0586
36	2	Screw (Period -9409)	9611-99-1834	9611-99-1834
37	4	Washer (Period -9409)	9611-99-0706	9611-99-0706
38	8	Spring washer (Period -9409)	9611-99-0676	9611-99-0676
39	8	Nut (Period -9409)	9611-99-1829	9611-99-1829
40	3	Disk (Period -9409)	31460-0110-1	31460-0110-1
41	3	Sleeve nut (Period -9409)	31460-0109-1	31460-0109-1
42	2	Back leg (Period -9409)	31460-0106-5	31460-0106-5
43	1	Front leg (Period -9409)	31460-0106-1	31460-0106-1
44	2	Bracket, front (Period -9409)	31438-0346-1	31438-0346-1
45	2	Bracket, back (Period -9409)	31460-0019-1	31460-0019-1
46	4	Vibration damper(Period -9409)	9611-99-1743	9611-99-1743
47	4	Washer (Period -9409)	9611-99-1831	9611-99-1831
48	4	Screw (Period -9409)	9611-99-1824	9611-99-1824



TD 216-023_2

TD 216-024

MR-300 Liquid-Ring Pump

Pos Qty Denomination 15 - 18.5 kW

Accessories (Delivered with the pump)

1	Key for hexagonal socket	66884
1	Impeller tool	31460-0050-1
1	Shaft seal tool	31460-0416-1

Pos	Qty	Denomination	EPDM (Standard)	NBR	FPM
<input type="checkbox"/>		Shaft seal complete	31438-0300-1	31438-0300-2	31438-0300-3
12	1	O-ring	9611-99-2175	9611-99-2176	260168-20
13	1	Stationary seal ring	31438-0351-1	31438-0351-1	31438-0351-1
14	1	Rotating seal ring	31438-0350-1	31438-0350-1	31438-0350-1
15	1	O-ring	9611-99-2292	42155	9611-99-2293
16	1	Washer	31438-0349-1	31438-0349-1	31438-0349-1
17	1	Spring	31438-0348-1	31438-0348-1	31438-0348-1

15 - 18.5 kW

Service kit

Service kit, EPDM.	<input type="checkbox"/> 9611-92-1084
Service kit, NBR.	<input type="checkbox"/> 9611-92-1085
Service kit, FPM.	<input type="checkbox"/> 9611-92-1086

Parts marked with are included in the Service kits.

Recommended spare parts: Service kits.

900154/2

How to contact Alfa Laval

Contact details for all countries are continually updated on our website.

Please visit www.alfalaval.com to access the information direct.