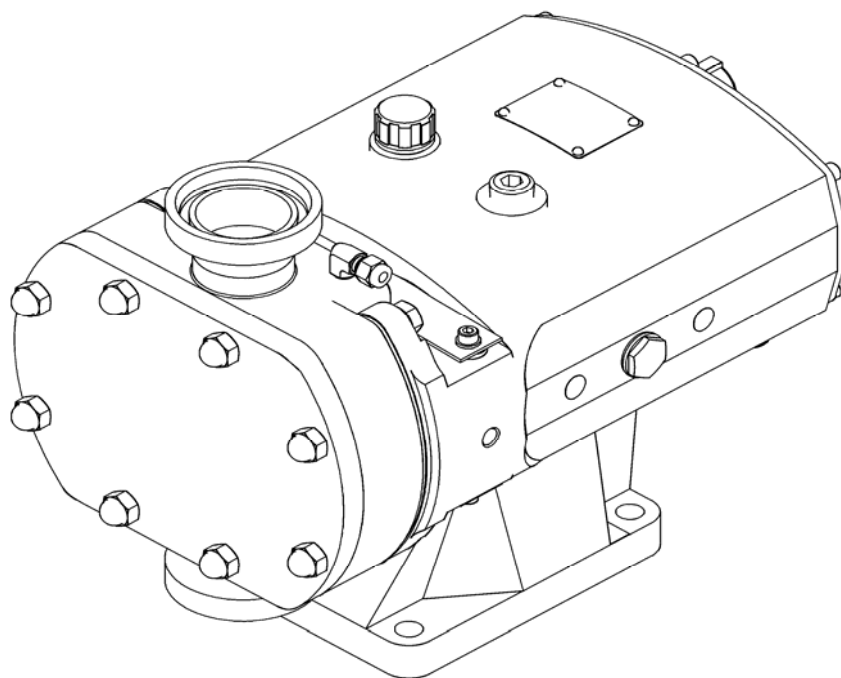


ALFA LAVAL LTD

SX RANGE
ROTARY LOBE PUMPS

SPARE PARTS LIST

July-08 (Issue 4.03)



Alfa Laval Eastbourne
Alfa Laval Ltd
Birch Road, Eastbourne
East Sussex BN23 6PQ
United Kingdom

Tel: +44 (0) 1323 412555
Fax: +44 (0) 1323 414515
www.alfalaval.com



Table of contents

Page No.	Contents	Page No.	Contents
3	SX1 Pump	26	R00 Double Mech Seals (Complete) - SX1-2
4	SX1 Pump (continued)	27	R00 Double Mech Seals (Complete) - SX3-4
5	SX2 Pump	28	R00 Double Mech Seals (Complete) - SX5-7
6	SX2 Pump (continued)	29	R00 Double Mech Seal Exploded View
7	SX3 Pump	30	R00 Mechanical Seal (parts) - SX1-2
8	SX3 Pump (continued)	31	R00 Mechanical Seal (parts) - SX3-4
9	SX1-3 Pump Exploded View Drawing	32	R00 Mechanical Seal (parts) - SX5-6
10	SX4 Pump	33	R00 Mechanical Seal (parts) - SX7
11	SX4 Pump (continued)	34	ATEX Parts
12	SX4 Pump Exploded View Drawing	35	Revision History
13	SX5 Pump	36	Revision History
14	SX5 Pump (continued)		
15	SX6 Pump		
16	SX6 Pump (continued)		
17	SX7 Pump		
18	SX7 Pump (continued)		
19	SX5-7 Pump Exploded View Drawing		
20	Cover/Rotor Seal Kits		
21	Service Kits (R00 Single Mechanical Seals)		
22	R00 Single Mech Seals (Complete)		
23	R00 Single Mech Seal Exploded View		
24	R00 Single Flush Mech Seals (Complete)		
25	R00 Single Flush Mech Seal Exploded View		

Notes

This publication is strictly confidential and remains the property of Alfa Laval Ltd. without whose written permission it must not be copied, reproduced or shown to third parties, and maybe subject to change without prior notice.

When identifying the spare parts required it is important to check the pump specification by referring to the pump serial number.



SX1 Pump						
Drq No.	Description	Qty	Part No.	Item No.		
1	Gearcase - universal mounting (designated by U)	1	5220.511	9630070599		
2	Dowel	2	5170.025	9630030093		
3	Stud, rotorcase retention & cover retention	4	SX1/005	6350.146	9630074135	
	Stud, rotorcase retention		SX1/007	6350.135	9630052259	
4	Nut, rotorcase retention	4	5330.003	9630024057		
4A	Washer, rotorcase retention	4	6400.036	9630024231		
5	Cover, gearcase	1	5120.161	9630070842		
6	Screw, gearcase cover	6	5990.045	9630030332		
7	Lip seal, rear	1	5310.078	9630032806		
8	Shim - standard (for ATEX pump see 'ATEX Parts')	1 set	Polymex	6150.150	9630034305	
8A	Shim retainer	2	6150.261	9630050684		
8B	Screw, shim retainer	4	6000.010	9630050533		
9	Rotorcase, 1" (25mm) connections	1	DIN11851	9003.090S	9630102095	
			ISS/IDF	9003.042S	9630102094	
			RJT	9003.034S	9630102096	
			SMS	9003.074S	9630102093	
	Tri-clamp (3.1)		9003.082S	9630102092		
	Rotorcase, 1" (25mm) connections - Electropolished		Tri-clamp (3.1)	SX1/005	9003.082SEP	9630857386
	Rotorcase, 1.1/2" (40mm) connections	1	DIN11851	9004.276S	9630102116	
			ISS/IDF	9004.318S	9630102115	
			RJT	9004.342S	9630102113	
			SMS	9004.253S	9630102114	
	Tri-clamp (3.1)		9004.274S	9630102112		
	Rotorcase, 1.1/2" (40mm) connections - Electropolished		Tri-clamp (3.1)	SX1/007	9004.274SEP	9630124737
10	Stud, rotorcase/cover retention	4	SX1/007	6350.135	9630052259	
11	Compression Joint	1	FPM	5381.101	9630070718	
			MVQ	5381.104	9630070719	
			USP Class VI EPDM	5381.105	9630070720	
12	Cover, rotorcase (3.1 Traceable)	1		5130.431	9630070814	
Cover, rotorcase (3.1 Traceable) - Electropolished			5130.431EP	9630124854		
13	Dome nut, rotorcase cover	4	5340.029	9630024095		
14	Retainer, seal	2	5560.081	9630070802		
15	Screw, seal retainer	6	5990.045	9630030332		
16	Lip seal, gland end	2	5310.138	9630072343		
17	Rotor, Stainless Steel (3.1 Traceable)	2	6 bar 150°C	SX1/005	5780.005F.A	9630111925
			12 bar 150°C		5780.005M.A	9630112717
			7 bar 150°C	SX1/007	5780.007G.A	9630126009
	Rotor, Stainless Steel (3.1 Traceable) - Electropolished	2	6 bar 150°C	SX1/005	5780.005F.AEP	9630857269
			12 bar 150°C		5780.005M.AEP	9630857270
			7 bar 150°C	SX1/007	5780.007G.AEP	9630857261
20	Cup seal, rotor retainer	2	FPM	5382.001	9630070696	
			MVQ	5382.004	9630070698	
			USP Class VI EPDM	5382.005	9630070697	
22	Rotor retainer (3.1 Traceable)	2		5900.201	9630070730	
Rotor retainer (3.1 Traceable) - Electropolished			5900.201EP	9630857306		
23	Key	1	5270.030	9630031498		
24	Shaft, drive	1	SX1/005	6110.740	9630070799	
			SX1/007	6110.741	9630070800	
25	Shaft, auxiliary	1	SX1/005	6100.740	9630070798	
			SX1/007	6100.741	9630070801	
26	Bearing, rear	2	5080.011	9630029026		
27	Spacer, shaft abutment	1	5670.061.01	9630032664		
30	Nut, bearing	2	5340.040	9630029135		
31	Bearing, front	2	5080.011	9630029026		
32	Spacer, bearing	2	5670.100	9630033403		

Note: If a 3.1 Traceability and/or Electropolished Certificate be required, this must be advised at time of order.

SX1 Pump (continued)				
Drg No.	Description	Qty	Part No.	Item No.
36	Timing gear	2	5210.079	9630069308
38	Torque locking element	2	5615.013	9630025151
39	Clamp plate	2	5110.039	9630031371
40	Screw, clamp plate	6	5990.044	9630030096
45	Drain plug	2	1660.004	9630023546
46	Sight glass - standard (for ATEX pump see 'ATEX Parts')	1	5480.001	9630032778
47	Filler plug - standard (for ATEX pump see 'ATEX Parts')	1	31491.0052.1	9630018599
48	Plug (universal mounting)	2	1660.008	9630023548
	Plug (vertically ported only)	1	1660.008	9630023548
49	Blanking plug (universal mounting)	4	5470.022	9630089950
50	Gland guard - standard (for ATEX pump see 'ATEX Parts')	2	5243.091	9630074944
51	Screw, gland guard	4	6000.010	9630050533
53	Washer, gland guard	4	31499.5903.3	9630039001
54	Foot, vertical port	1	5225.401	9630070562
56	Foot, horizontal port	1	5225.301	9630070561
58	Screw, Foot	2	6000.016	9630074795
59	Blanking plug (unflushed seals)	4	5470.000	9630024415
	Elbow, 1/8 BSPT to 6mm pipe (flushed seals)		5192.050A	9630034032
60	Tool, rotor retainer	1	6380.191	9630070709

SX2 Pump				
Drg No.	Description	Qty	Part No.	Item No.
1	Gearcase - universal mounting (designated by U)	1	5220.512	9630070054
2	Dowel	2	5170.025	9630030093
3	Stud, rotorcase retention	4	6350.136	9630052261
4	Nut, rotorcase retention	4	5330.000	9630024051
4A	Washer, rotorcase retention	4	6400.037	9630024233
5	Cover, gearcase	1	5120.162	9630070008
6	Screw, gearcase cover	6	5990.052	9630021069
7	Lip seal, rear	1	5310.079	9630032807
8	Shim - standard (for ATEX pump see 'ATEX Parts') Polymex	1 set	6150.152	9630034199
8A	Shim retainer	2	6150.312	9630089541
8B	Screw, shim retainer	4	6000.010	9630050533
9	Rotorcase, 1.1/2" (40mm) connections	DIN11851 ISS/IDF RJT SX2/013 SMS Tri-clamp (3.1)	9005.276S	9630102158
			9005.318S	9630102159
			9005.342S	9630102160
			9005.253S	9630102161
9	Rotorcase, 1.1/2" (40mm) connections - Electropolished	Tri-clamp (3.1) SX2/013	9005.274SEP	9630124208
			9006.235S	9630102162
			9006.233S	9630102163
			9006.232S	9630102164
9	Rotorcase, 2" (50mm) connections	DIN11851 ISS/IDF RJT SX2/018 SMS Tri-clamp (3.1)	9006.234S	9630102165
			9006.271S	9630102166
			9006.271SEP	9630857387
			9006.271SEP	9630857387
10	Stud, rotorcase/cover retention	4	6350.094	9630024086
11	Compression Joint	FPM MVQ USP Class VI EPDM	5381.201	9630070193
			5381.204	9630070194
			5381.205	9630070195
12	Cover, rotorcase (3.1 Traceable)		5130.432	9630069665
			5130.432EP	9630124209
13	Dome nut, rotorcase cover	4	5340.047	9630029651
14	Retainer, seal	2	5560.082	9630069355
15	Screw, seal retainer	6	5990.052	9630021069
16	Lip seal, front	2	5310.107	9630043050
17	Rotor, Stainless Steel (3.1 Traceable)	5 bar 150°C 15 bar 150°C 7 bar 150°C SX2/013 SX2/018	5780.013E.A	9630103470
			5780.013R.A	9630105398
			5780.018G.A	9630110785
			5780.013E.AEP	9630856270
17	Rotor, Stainless Steel (3.1 Traceable) - Electropolished	5 bar 150°C 15 bar 150°C 7 bar 150°C SX2/013 SX2/018	5780.013R.AEP	9630856271
			5780.018G.AEP	9630857263
			5780.018G.AEP	9630857263
20	Cup seal, rotor retainer	FPM MVQ USP Class VI EPDM	5382.101	9630069429
			5382.104	9630069427
			5382.105	9630069424
22	Rotor retainer (3.1 Traceable)	SX2/013 SX2/018	5900.202	9630069548
			5900.212	9630070034
22	Rotor retainer (3.1 Traceable) - Electropolished	SX2/013 SX2/018	5900.202EP	9630124210
			5900.212EP	9630857329
23	Key	1	5270.007	9630023916
24	Shaft, drive	1	6110.742	9630069668
25	Shaft, auxiliary	1	6100.742	9630069666
26	Bearing, rear	2	5080.022	9630069297
27	Spacer, shaft abutment	1	5670.168.01	9630069959
30	Nut, bearing	2	5340.041	9630029136
31	Bearing, front	2	5080.022	9630069297
32	Spacer, bearing	2	5670.162	9630069353

Note: If a 3.1 Traceability and/or Electropolished Certificate be required, this must be advised at time of order.

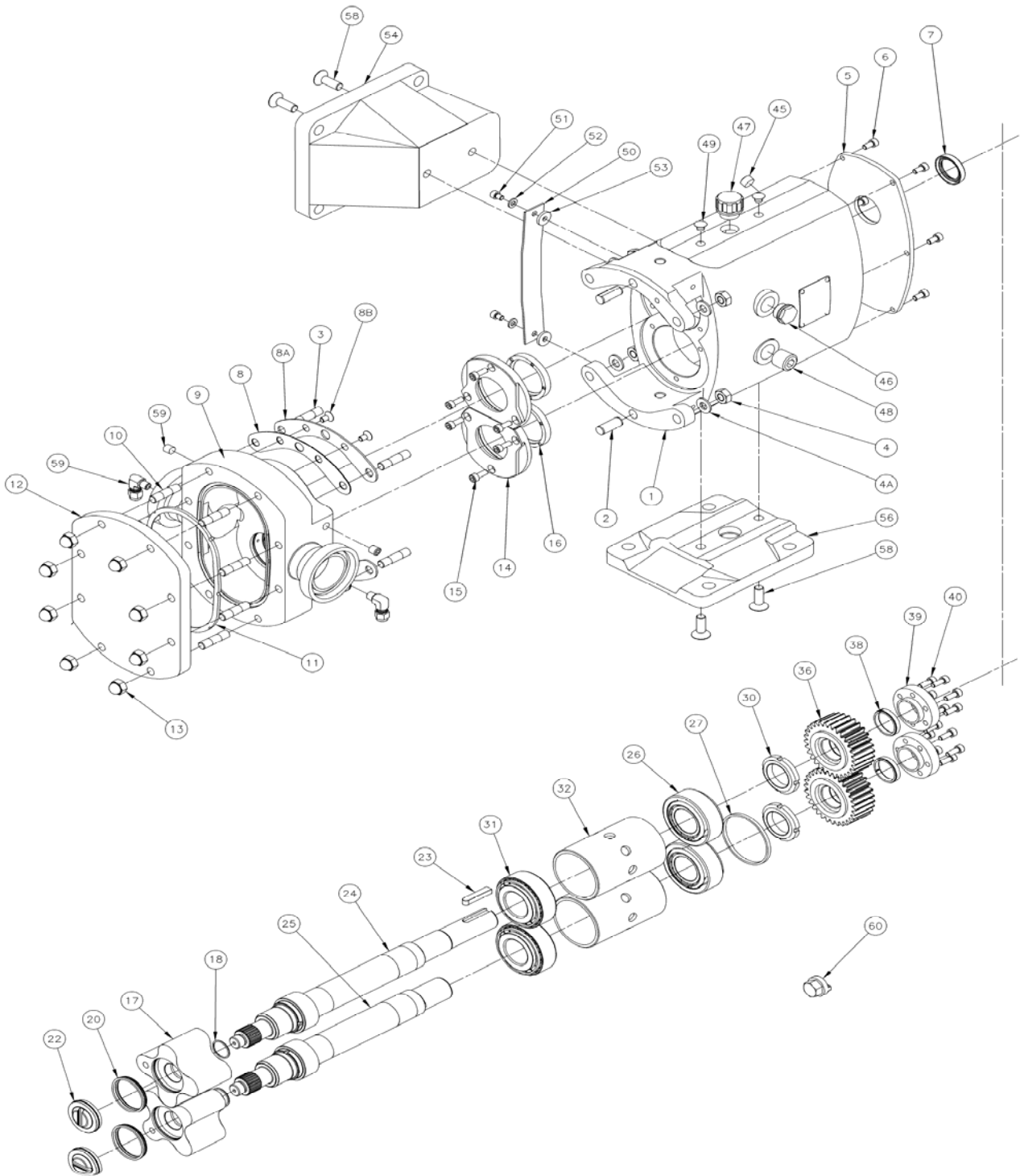
SX2 Pump (continued)				
Drg No.	Description	Qty	Part No.	Item No.
36	Timing gear	2	5210.077	9630069305
38	Torque locking element	2	5615.015	9630030115
39	Clamp plate	2	5110.040	9630031407
40	Screw, clamp plate	6	5990.007	9630024595
45	Drain plug	2	1660.004	9630023546
46	Sight glass - standard (for ATEX pump see 'ATEX Parts')	1	5480.001	9630032778
47	Filler plug - standard (for ATEX pump see 'ATEX Parts')	1	31491.0052.1	9630018599
48	Plug (universal mounting)	2	1660.008	9630023548
	Plug (vertically ported only)	1	1660.008	9630023548
49	Blanking plug (universal mounting)	4	5470.020	9630087278
50	Gland guard - standard (for ATEX pump see 'ATEX Parts')	2	5243.092	9630074946
51	Screw, gland guard	4	6000.010	9630050533
53	Washer, gland guard	4	31499.5903.3	9630039001
54	Foot, vertical port	1	5225.402	9630069904
56	Foot, horizontal port	1	5225.302	9630069903
58	Screw, Foot	2	6000.015	9630074794
59	Blanking plug (unflushed seal)	4	5470.000	9630024415
	Elbow, 1/8 BSPT to 6mm pipe (flushed seals)		5192.050A	9630034032
60	Tool, rotor retainer	1	6380.191	9630070709

SX3 Pump						
Drg No.	Description	Qty	Part No.	Item No.		
1	Gearcase - universal mounting (designated by U)	1	5220.353	9630087580		
2	Dowel	2	5170.010	9630023461		
3	Stud, rotorcase retention	4	6350.137	9630052263		
4	Nut, rotorcase retention	4	5330.000	9630024051		
4A	Washer, rotorcase retention	4	6400.037	9630024233		
5	Cover, gearcase	1	5120.163	9630070039		
6	Screw, gearcase cover	6	5990.052	9630021069		
7	Lip seal, rear	1	5310.080	9630032808		
8	Shim - standard (for ATEX pump see 'ATEX Parts') Polymex	1 set	6150.154	9630034130		
8A	Shim retainer	2	6150.313	9630089542		
8B	Screw, shim retainer	4	6000.010	9630050533		
9	Rotorcase, 2" (50mm) connections	DIN11851 ISS/IDF RJT SMS Tri-clamp (3.1)	SX3/027	9007.235S	9630102167	
				9007.233S	9630102168	
				9007.232S	9630102169	
				9007.234S	9630102170	
9	Rotorcase, 2" (50mm) connections - Electropolished	Tri-clamp (3.1)	SX3/027	9007.271SEP	9630854248	
				DIN11851 ISS/IDF RJT SMS Tri-clamp (3.1)	9008.651S	9630102172
					9008.645S	9630102173
					9008.623S	9630102174
9008.649S	9630102175					
9	Rotorcase, 2.1/2" (65mm) connections	Tri-clamp (3.1)	SX3/035	9008.650S	9630102176	
				9008.650SEP	9630857388	
10	Stud, rotorcase/cover retention	8	6350.095	9630027490		
11	Compression Joint	FPM MVQ USP Class VI	EPDM	5381.301	9630070679	
				5381.304	9630069223	
				5381.305	9630069395	
12	Cover, rotorcase (3.1 Traceable)			5130.433	9630069707	
				5130.433EP	9630854255	
13	Dome nut, rotorcase cover	8	5340.047	9630029651		
14	Retainer, seal	2	5560.032	9630025431		
15	Screw, seal retainer	6	5990.052	9630021069		
16	Lip seal, front	2	5310.072	9630032798		
17	Rotor, Stainless Steel (3.1 Traceable)	5 bar 150°C 15 bar 150°C 7 bar 150°C	SX3/027 SX3/035	5780.027E.A	9630124273	
				5780.027R.A	9630102905	
				5780.035G.A	9630113513	
				5780.027E.AEP	9630126884	
17	Rotor, Stainless Steel (3.1 Traceable) - Electropolished	5 bar 150°C 15 bar 150°C 7 bar 150°C	SX3/027 SX3/035	5780.027R.AEP	9630855329	
				5780.035G.AEP	9630857266	
				5382.201	9630069430	
20	Cup seal, rotor retainer	FPM MVQ USP Class VI	EPDM	5382.204	9630069428	
				5382.205	9630069425	
				5900.203	9630069705	
22	Rotor retainer (3.1 Traceable)	SX3/027 SX3/035	SX3/027 SX3/035	5900.213	9630070261	
				5900.203EP	9630855861	
				5900.213EP	9630857330	
23	Key	1	5270.031	9630031499		
24	Shaft, drive	1	6110.743	9630069745		
25	Shaft, auxiliary	1	6100.743	9630069743		
26	Bearing, rear	2	5080.013	9630029030		
27	Spacer, shaft abutment	1	5670.063.01	9630032683		
30	Nut, bearing	2	5340.042	9630029137		
31	Bearing, front	2	5080.013	9630029030		
32	Spacer, bearing	2	5670.058	9630029695		

Note: If a 3.1 Traceability and/or Electropolished Certificate be required, this must be advised at time of order.

SX3 Pump (continued)				
Drg No.	Description	Qty	Part No.	Item No.
36	Timing gear	2	5210.038	9630027688
38	Torque locking element	4	5615.016	9630030273
39	Clamp plate	2	5110.041	9630029175
40	Screw, clamp plate	12	5990.007	9630024595
45	Drain plug	2	1660.004	9630023546
46	Sight glass - standard (for ATEX pump see 'ATEX Parts')	1	5480.001	9630032778
47	Filler plug - standard (for ATEX pump see 'ATEX Parts')	1	31491.0052.1	9630018599
48	Plug (universal mounting)	2	1660.008	9630023548
	Plug (vertically ported only)	1	1660.008	9630023548
49	Blanking plug (universal mounting)	4	5470.020	9630087278
50	Gland guard - standard (for ATEX pump see 'ATEX Parts')	2	5243.093	9630074947
51	Screw, gland guard	4	5990.045	9630030332
52	Washer, gland guard	4	6400.046	9630030121
53	Washer, gland guard	4	31499.5903.3	9630039001
54	Foot, vertical port	1	5225.413	9630125239
56	Foot, horizontal port	1	5225.303	9630070492
58	Screw, Foot	2	6000.014	9630074776
59	Blanking plug (unflushed seal)	4	5470.000	9630024415
	Elbow, 1/8 BSPT to 6mm pipe (flushed seals)		5192.050A	9630034032
60	Tool, rotor retainer	1	6380.191	9630070709

SX1-3 Pump Model - Exploded View Drawing

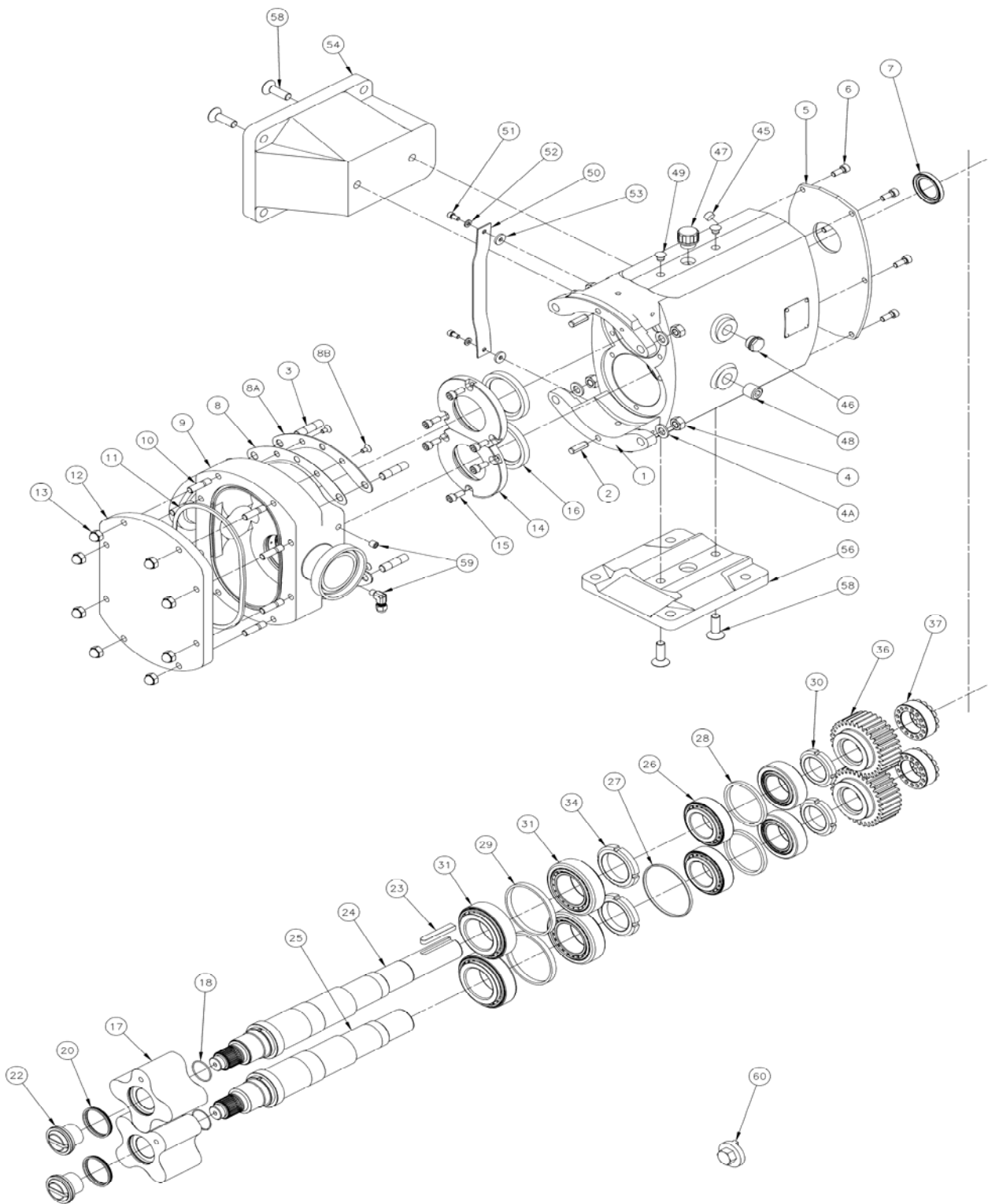


SX4 Pump				
Drg No.	Description	Qty	Part No.	Item No.
1	Gearcase - universal mounting (designated by U)	1	5220.514	9630070362
2	Dowel	2	5170.040	9630070385
3	Stud, rotorcase retention	4	6350.138	9630052265
4	Nut, rotorcase retention	4	5330.001	9630024053
4A	Washer, rotorcase retention	4	6400.038	9630024236
5	Cover, gearcase	1	5120.164	9630070364
6	Screw, gearcase cover	6	5990.034	9630024635
7	Lip seal, rear	1	5310.081	9630032809
8	Shim - standard (for ATEX pump see 'ATEX Parts') Polymex	1 set	6150.156	9630033702
8A	Shim retainer	2	6150.314	9630089543
8B	Screw, shim retainer	4	6000.010	9630050533
9	Rotorcase, 2" (50mm) connections DIN11851 ISS/IDF RJT SX4/046 SMS Tri-clamp (3.1)	1	9009.235S	9630102177
			9009.233S	9630102178
			9009.232S	9630102179
			9009.234S	9630102181
9	Rotorcase, 2" (50mm) connections - Electropolished Tri-clamp (3.1) SX4/046	1	9009.271SEP	9630102647
			9010.651S	9630102183
			9010.645S	9630102184
			9010.623S	9630102185
9	Rotorcase, 2.1/2" (65mm) connections DIN11851 ISS/IDF RJT SX4/063 SMS Tri-clamp (3.1)	1	9010.649S	9630102186
			9010.650S	9630102187
			9010.650SEP	9630857389
			10	Stud, rotorcase/cover retention
11	Compression Joint FPM MVQ USP Class VI EPDM	1	5381.401	9630070399
			5381.404	9630070400
			5381.405	9630070401
12	Cover, rotorcase (3.1 Traceable)	1	5130.434	9630070403
			5130.434EP	9630102649
13	Dome nut, rotorcase cover	8	5340.047	9630029651
14	Retainer, seal	2	5560.084	9630070335
15	Screw, seal retainer	6	5990.034	9630024635
16	Lip seal, front	2	5310.074	9630032800
17	Rotor, Stainless Steel (3.1 Traceable) 5 bar 150°C SX4/046 15 bar 150°C	2	5780.046E.A	9630111763
			5780.046R.A	9630124836
			5780.063E.A	9630125362
	Rotor, Stainless Steel (3.1 Traceable) - Electropolished 5 bar 150°C SX4/063 10 bar 150°C	2	5780.063K.A	9630110663
			5780.046E.AEP	9630857271
			5780.046R.AEP	9630124837
20	Cup seal, rotor retainer FPM MVQ USP Class VI EPDM	2	5382.301	9630069423
			5382.304	9630069422
			5382.305	9630069421
22	Rotor retainer (3.1 Traceable) SX4/046 SX4/063	2	5900.204	9630070338
			5900.214	9630070339
			5900.204EP	9630112103
22	Rotor retainer (3.1 Traceable) - Electropolished SX4/046 SX4/063	2	5900.214EP	9630857331
			23	Key
24	Shaft, drive	1	6110.744	9630070376
25	Shaft, auxiliary	1	6100.744	9630070374
26	Bearing, rear	4	5080.014	9630029032
27	Spacer, shaft abutment	1	5670.169.01	9630070443
28	Spacer, bearing rear	2	5670.050	9630070381
29	Spacer, bearing front	2	5670.164	9630027142
30	Nut, bearing rear	2	5340.043	9630029138
31	Bearing, front	4	5080.023	9630069300
34	Nut, bearing front	2	5340.035	9630024100

Note: If a 3.1 Traceability and/or Electropolished Certificate be required, this must be advised at time of order.

SX4 Pump (continued)				
Drg No.	Description	Qty	Part No.	Item No.
36	Timing gear	2	5210.078	9630069307
37	Torque locking assembly	2	5615.000	9630024451
45	Drain plug	2	1660.004	9630023546
46	Sight glass - standard (for ATEX pump see 'ATEX Parts')	1	5480.001	9630032778
47	Filler plug - standard (for ATEX pump see 'ATEX Parts')	1	31491.0052.1	9630018599
48	Plug (universal mounting)	2	1660.008	9630023548
	Plug (vertically ported only)	1	1660.008	9630023548
49	Blanking plug (universal mounting)	4	5470.021	9630089949
50	Gland guard - standard (for ATEX pump see 'ATEX Parts')	2	5243.094	9630074948
51	Screw, gland guard	4	5990.045	9630030332
52	Washer, gland guard	4	6400.046	9630030121
53	Washer, gland guard	4	31499.5903.3	9630039001
54	Foot, vertical port	1	5225.404	9630070366
56	Foot, horizontal port	1	5225.304	9630070368
58	Screw, Foot	2	6000.013	9630074775
59	Blanking plug (unflushed seal)	4	5470.000	9630024415
	Elbow, 1/8 BSPT to 6mm pipe (flushed seals)		5192.050A	9630034032
60	Tool, rotor retainer	1	6380.192	9630070769

SX4 Pump Model - Exploded View Drawing



SX5 Pump				
Drg No.	Description	Qty	Part No.	Item No.
1	Gearcase - vertically ported only (designated by H)	1	5220.525	9630070607
2	Dowel	2	5170.010	9630023461
3	Stud, rotorcase retention	4	6350.138	9630052265
4	Nut, rotorcase retention	4	5330.001	9630024053
4A	Washer, rotorcase retention	4	6400.038	9630024236
5	Cover, gearcase	1	5120.165	9630072515
6	Screw, gearcase cover	5	5990.034	9630024635
7	Lip seal, rear	1	5310.082	9630032810
8	Shim - standard (for ATEX pump see 'ATEX Parts') Polymex	1 set	6150.158	9630033860
8A	Shim retainer	2	6150.315	9630089544
8B	Screw, shim retainer	4	6000.010	9630050533
9	Rotorcase, 2.1/2" (65mm) connections	DIN11851 ISS/IDF RJT SX5/082 SMS Tri-clamp (3.1)	9011.651S	9630102188
			9011.645S	9630102189
			9011.623S	9630102190
			9011.649S	9630102191
9	Rotorcase, 2.1/2" (65mm) connections - Electropolished	Tri-clamp (3.1) SX5/082	9011.650S	9630102192
			9011.650SEP	9630857390
			9012.671S	9630102193
			9012.665S	9630102194
9	Rotorcase, 3" (80mm) connections	DIN11851 ISS/IDF RJT SX5/115 SMS Tri-clamp (3.1)	9012.624S	9630102195
			9012.669S	9630102196
			9012.670S	9630102124
			9012.670SEP	9630854547
10	Stud, rotorcase/cover retention	8	6350.104	9630019863
11	Compression Joint	FPM MVQ USP Class VI EPDM	5381.501	9630071979
			5381.504	9630071980
			5381.505	9630071981
12	Cover, rotorcase (3.1 Traceable)		5130.435	9630072005
			5130.435EP	9630854549
13	Dome nut, rotorcase cover	8	5340.047	9630029651
14	Retainer, seal	2	5560.036	9630026099
15	Screw, seal retainer	6	5990.034	9630024635
16	Lip seal, front	2	5310.076	9630032802
17	Rotor, Stainless Steel (3.1 Traceable)	15 bar 150°C SX5/082 10 bar 150°C SX5/115	5780.082R.A	9630112549
			5780.115K.A	9630099553
			5780.082R.AEP	9630857274
			5780.115K.AEP	9630854548
20	Cup seal, rotor retainer	FPM MVQ USP Class VI EPDM	5382.401	9630069432
			5382.404	9630069431
			5382.405	9630069426
22	Rotor retainer (3.1 Traceable)	SX5/082 SX5/115	5900.205	9630073103
			5900.215	9630073104
			5900.205EP	9630857309
22	Rotor retainer (3.1 Traceable) - Electropolished	SX5/082 SX5/115	5900.215EP	9630857332
23	Key	1	5270.013	9630023940
24	Shaft, drive	1	6110.745	9630073091
25	Shaft, auxiliary	1	6100.745	9630073080
26	Bearing, rear	4	5080.015	9630029034
27	Spacer, shaft abutment	1	5670.067.01	9630035209
28	Spacer, bearing drive end	2	5670.049	9630031175
29	Spacer, bearing gland end	2	5670.051	9630031133
30	Nut, bearing rear	2	5340.035	9630024100
31	Bearing, front	4	5080.017	9630029036
34	Nut, bearing front	2	5340.045	9630029139

Note: If a 3.1 Traceability and/or Electropolished Certificate be required, this must be advised at time of order.

SX5 Pump (continued)				
Drg No.	Description	Qty	Part No.	Item No.
36	Timing gear	2	5210.034	9630031162
37	Torque locking assembly	2	5615.005	9630024455
45	Drain plug	1	1660.008	9630023548
46	Sight glass - standard (for ATEX pump see 'ATEX Parts')	1	5480.001	9630032778
47	Filler plug - standard (for ATEX pump see 'ATEX Parts')	1	31491.0052.1	9630018599
48	Plug	1	1660.008	9630023548
50	Gland guard - standard (for ATEX pump see 'ATEX Parts')	2	5243.095	9630075259
51	Screw, gland guard	4	5950.056	9630030383
52	Washer, gland guard	4	6400.036	9630024231
59	Blanking plug (unflushed seal)	4	5470.001	9630024417
	Elbow, 1/4 BSPT to 6mm pipe (flushed seals)		5192.041	9630030750
60	Tool, rotor retainer	1	6380.192	9630070769

SX6 Pump					
Drq No.	Description	Qty	Part No.	Item No.	
1	Gearcase - vertically ported only (designated by H)	1	5220.526	9630070608	
2	Dowel	2	5170.011	9630023467	
3	Stud, rotorcase retention	4	6350.139	9630052267	
4	Nut, rotorcase retention	4	5330.002	9630024055	
4A	Washer, rotorcase retention	4	6400.041	9630024238	
5	Cover, gearcase	1	5120.150	9630058651	
6	Screw, gearcase cover	5	5990.034	9630024635	
7	Lip seal, rear	1	5310.072	9630032798	
8	Shim - standard (for ATEX pump see 'ATEX Parts') Polymex	1 set	6150.160	9630033391	
8A	Shim retainer	2	6150.266	9630051782	
8B	Screw, shim retainer	4	6000.010	9630050533	
9	Rotorcase, 3" (80mm) connections	DIN11851 ISS/IDF RJT SX6/140 SMS Tri-clamp (3.1)	9013.671S	9630102197	
			9013.665S	9630102198	
			9013.624S	9630102199	
			9013.669S	9630102200	
9013.670S	9630102201				
9	Rotorcase, 3" (80mm) connections - Electropolished	Tri-clamp (3.1) SX6/140	1	9013.670SEP	9630104827
10	Rotorcase, 4" (100mm) connections	DIN11851 ISS/IDF RJT SX6/190 SMS Tri-clamp (3.1)	9014.096S	9630102202	
			9014.048S	9630102203	
			9014.040S	9630102204	
			9014.080S	9630102205	
9014.088S	9630102149				
10	Rotorcase, 4" (100mm) connections - Electropolished	Tri-clamp (3.1) SX6/190	1	9014.088SEP	9630857391
10	Stud, rotorcase/cover retention	8	6350.098	9630030574	
11	Compression Joint	FPM MVQ USP Class VI EPDM	5381.601	9630071982	
			5381.604	9630071983	
			5381.605	9630071984	
12	Cover, rotorcase (3.1 Traceable)	1	5130.436	9630072006	
	Cover, rotorcase (3.1 Traceable) - Electropolished		5130.436EP	9630111950	
13	Dome nut, rotorcase cover	8	5340.022	9630024088	
14	Retainer, seal	2	5560.037	9630026103	
15	Screw, seal retainer	6	5990.034	9630024635	
16	Lip seal, front	2	5310.077	9630032803	
17	Rotor, Stainless Steel (3.1 Traceable)	15 bar 150°C SX6/140 10 bar 150°C SX6/190	5780.140R.A	9630102913	
			5780.190K.A	9630856717	
			5780.140R.AEP	9630112415	
			5780.190K.AEP	9630856993	
19	Torque locking assembly	2	5615.000	9630024451	
20	Cup seal, rotor retainer	FPM MVQ USP Class VI EPDM	5382.501	9630069861	
			5382.504	9630069862	
			5382.505	9630069858	
22	Rotor retainer (3.1 Traceable)	2	5900.206	9630073101	
	Rotor retainer (3.1 Traceable) - Electropolished		5900.206EP	9630111951	
23	Key	1	5270.013	9630023940	
24	Shaft, drive	SX6/140 SX6/190	6110.746	9630073057	
			6110.752	9630073058	
25	Shaft, auxiliary	SX6/140 SX6/190	6100.746	9630073056	
			6100.752	9630073059	
26	Bearing, rear	4	5080.017	9630029036	
27	Spacer, shaft abutment	1	5670.068.01	9630034661	
28	Spacer, bearing rear	2	5670.051	9630031133	
29	Spacer, bearing front	2	5670.053	9630031135	
30	Nut, bearing rear	2	5340.045	9630029139	
31	Bearing, front	4	5080.019	9630029038	
34	Nut, bearing front	2	5340.046	9630029140	

Note: If a 3.1 Traceability and/or Electropolished Certificate be required, this must be advised at time of order.

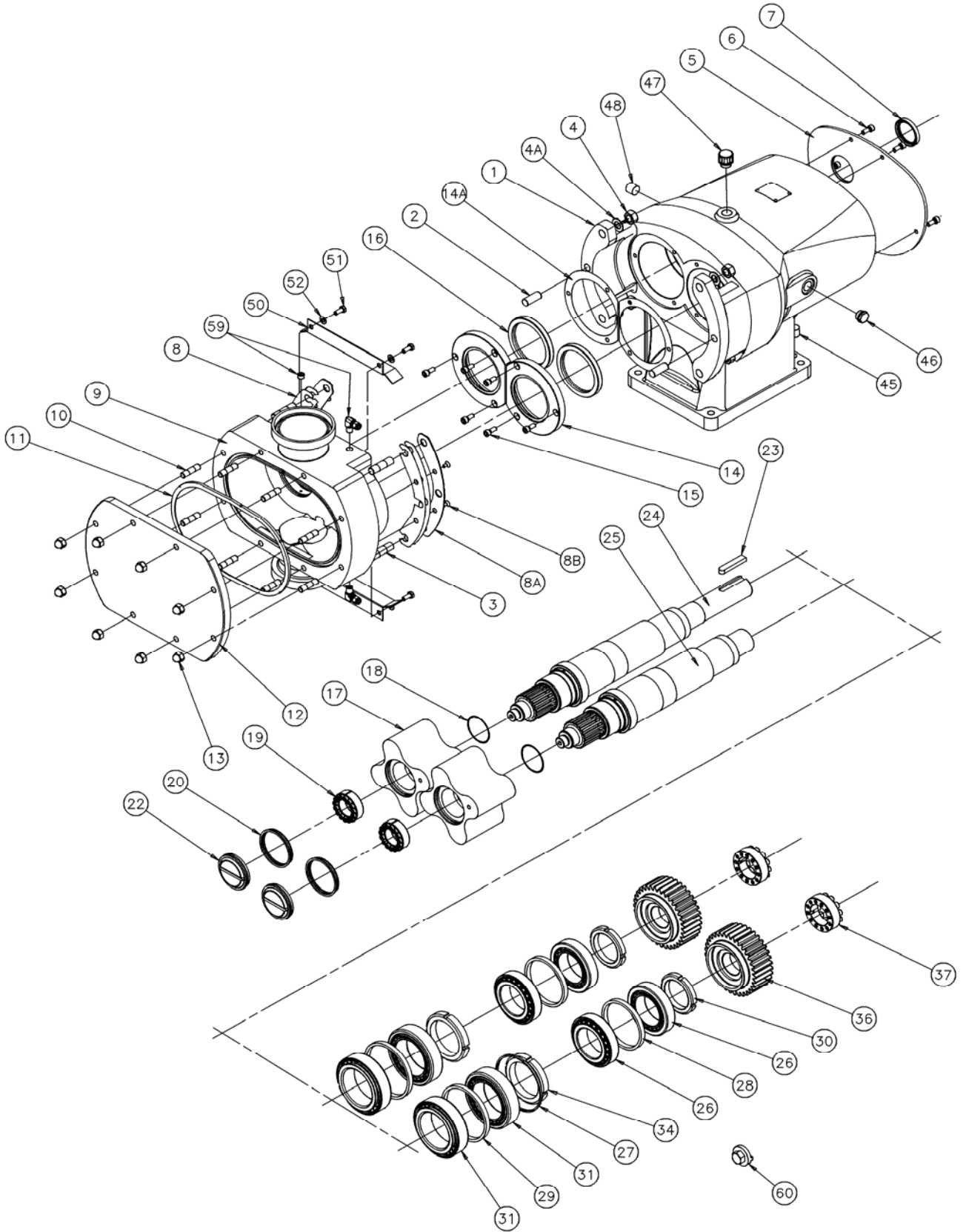
SX6 Pump (continued)				
Drg No.	Description	Qty	Part No.	Item No.
36	Timing gear	2	5210.035	9630030718
37	Torque locking assembly	2	5615.005	9630024455
45	Drain plug	1	1660.008	9630023548
46	Sight glass - standard (for ATEX pump see 'ATEX Parts')	1	5480.001	9630032778
47	Filler plug - standard (for ATEX pump see 'ATEX Parts')	1	31491.0052.1	9630018599
48	Plug	1	1660.008	9630023548
50	Gland guard - standard (for ATEX pump see 'ATEX Parts')	2	5243.096	9630075262
51	Screw, gland guard	4	5950.056	9630030383
52	Washer, gland guard	4	6400.036	9630024231
59	Blanking plug (unflushed seal)	4	5470.001	9630024417
	Elbow, 1/4 BSPT to 6mm pipe (flushed seals)	4	5192.041	9630030750
60	Tool, rotor retainer	1	6380.192	9630070769
	Tool, rotor TLA clamp (not shown) complete:	1	6380.217	9630087290
	Comprising of: Clamp ring	1	6380.404	9630855562
	Clamp nut	1	6380.405	9630855565

SX7 Pump				
Drg No.	Description	Qty	Part No.	Item No.
1	Gearcase - vertically ported only (designated by H)	1	5220.527	9630070609
2	Dowel	2	5170.011	9630023467
3	Stud, rotorcase retention	4	6350.086	9630024029
4	Nut, rotorcase retention	4	5330.002	9630024055
4A	Washer, rotorcase retention	4	6400.041	9630024238
5	Cover, gearcase	1	5120.167	9630072492
6	Screw, gearcase cover	6	5990.034	9630024635
7	Lip seal, rear	1	5310.115	9630054369
8	Shim - standard (for ATEX pump see 'ATEX Parts') Polymex	1 set	6150.297	9630072392
8A	Shim retainer	2	6150.287	9630072385
8B	Screw, shim retainer	4	6000.010	9630050533
9	Rotorcase, 4" (100mm) connections DIN11851 ISS/IDF RJT SX7/250 SMS Tri-clamp (3.1)	1	9015.096S	9630102206
			9015.048S	9630102207
			9015.040S	9630102208
			9015.080S	9630102209
			9015.088S	9630102150
	Rotorcase, 4" (100mm) connections - Electropolished	Tri-clamp (3.1) SX7/250	9015.088SEP	9630857392
	Rotorcase, 6" (150mm) connections	DIN11851 Tri-clamp (3.1) SX7/380	9016.557S	9630085942
			9016.518S	9630086312
	Rotorcase, 6" (150mm) connections - Electropolished	Tri-clamp (3.1) SX7/380	9016.518SEP	9630857393
10	Stud, rotorcase/cover retention	8	6350.098	9630030574
11	Compression Joint FPM MVQ USP Class VI EPDM	1	5381.701	9630071985
			5381.704	9630071986
			5381.705	9630071987
12	Cover, rotorcase (3.1 Traceable)	1	5130.437	9630072007
	Cover, rotorcase (3.1 Traceable) - Electropolished		5130.437EP	9630857259
13	Dome nut, rotorcase cover	8	5340.022	9630024088
14	Retainer, seal	2	5560.087	9630073028
15	Screw, seal retainer	6	5990.078	9630060520
16	Lip seal, front	2	5310.139	9630074130
17	Rotor, Stainless Steel (3.1 Traceable) 15 bar 150°C SX7/250 10 bar 150°C SX5/380	2	5780.250R.A	9630126267
			5780.380K.A	9630102924
			5780.250R.AEP	9630857276
			5780.380K.AEP	9630857277
19	Torque locking assembly	2	5615.000	9630024451
20	Cup seal, rotor retainer FPM MVQ USP Class VI EPDM	2	5382.501	9630069861
			5382.504	9630069862
			5382.505	9630069858
22	Rotor retainer (3.1 Traceable)	2	5900.206	9630073101
	Rotor retainer (3.1 Traceable) - Electropolished		5900.206EP	9630111951
23	Key	1	5270.038	9630074134
24	Shaft, drive SX7/250 SX7/380	1	6110.747	9630073020
			6110.749	9630073026
25	Shaft, auxiliary SX7/250 SX7/380	1	6100.747	9630073021
			6100.749	9630073027
26	Bearing, rear	4	5080.019	9630029038
27	Spacer, shaft abutment	1	5670.170.01	9630072526
28	Spacer, bearing rear	2	5670.053	9630031135
29	Spacer, bearing front	2	5670.167	9630072283
30	Nut, bearing rear	2	5340.046	9630029140
31	Bearing, front	4	5080.024	9630070846
34	Nut, bearing front	2	5340.037	9630025231

Note: If a 3.1 Traceability and/or Electropolished Certificate be required, this must be advised at time of order.

SX7 Pump (continued)				
Drg No.	Description	Qty	Part No.	Item No.
36	Timing gear	2	5210.080	9630071347
37	Torque locking assembly	2	5615.012	9630025239
45	Drain plug	1	1660.008	9630023548
46	Sight glass - standard (for ATEX pump see 'ATEX Parts')	1	5480.001	9630032778
47	Filler plug - standard (for ATEX pump see 'ATEX Parts')	1	31491.0052.1	9630018599
48	Plug	1	1660.008	9630023548
50	Gland guard - standard (for ATEX pump see 'ATEX Parts')	2	5243.097	9630075263
51	Screw, gland guard	4	5950.056	9630030383
52	Washer, gland guard	4	6400.036	9630024231
59	Blanking plug (unflushed seal)	4	5470.001	9630024417
	Elbow, 1/4 BSPT to 6mm pipe (flushed seals)		5192.041	9630030750
60	Tool, rotor retainer	1	6380.192	9630070769
	Tool, rotor TLA clamp (not shown) complete:	1	6380.217	9630087290
	Comprising of: Clamp ring	1	6380.404	9630855562
	Clamp nut	1	6380.405	9630855565

SX5-7 Pump Model - Exploded View Drawing



Cover / Rotor Seal Kits

Each kit comprises of Compression Joint and Rotor Retainer Cup Seals for one pump.

Description	Elastomer	SX1		SX2	
		Part No.	Item No.	Part No.	Item No.
Cover / Rotor Seal Kit	EPDM USP Class VI	K61AA	9630110858	K62AA	9630110862
	FPM	K61BA	9630110860	K62BA	9630110865
	MVQ	K61CA	9630110861	K62CA	9630110866
Rotary Seal / Stationary Seal	Elastomer	SX3		SX4	
		Part No.	Item No.	Part No.	Item No.
Cover / Rotor Seal Kit	EPDM USP Class VI	K63AA	9630110867	K64AA	9630110870
	FPM	K63BA	9630110868	K64BA	9630110871
	MVQ	K63CA	9630110869	K64CA	9630110872
Rotary Seal / Stationary Seal	Elastomer	SX5		SX6	
		Part No.	Item No.	Part No.	Item No.
Cover / Rotor Seal Kit	EPDM USP Class VI	K65AA	9630110873	K66AA	9630110876
	FPM	K65BA	9630110874	K66BA	9630110877
	MVQ	K65CA	9630110875	K66CA	9630110878
Rotary Seal / Stationary Seal	Elastomer	SX7			
		Part No.	Item No.		
Cover / Rotor Seal Kit	EPDM USP Class VI	K67AA	9630110880		
	FPM	K67BA	9630110881		
	MVQ	K67CA	9630110882		

Service Kits (R00 Single Mechanical Seals) - SX Pump Range

Each kit comprises of 1 off Cover/Rotor Sealing Kit and 2 off complete Mechanical Seals for one pump.

Rotary Seal / Stationary Seal Ring	'O' Rings	SX1		SX2	
		Part No.	Item No.	Part No.	Item No.
Silicon Carbide / Silicon Carbide	EPDM USP Class VI FPM	K61AA-L21.A	9630857994	K62AA-L21.A	9630857995
		K61BA-L22.A	9630862633	K62BA-L22.A	9630879733
Rotary Seal / Stationary Seal Ring	'O' Rings	SX3		SX4	
		Part No.	Item No.	Part No.	Item No.
Silicon Carbide / Silicon Carbide	EPDM USP Class VI FPM	K63AA-L21.A	9630857996	K64AA-L21.A	9630857997
		K63BA-L22.A	9630879730	K64BA-L22.A	TBA
Rotary Seal / Stationary Seal Ring	'O' Rings	SX5		SX6	
		Part No.	Item No.	Part No.	Item No.
Silicon Carbide / Silicon Carbide	EPDM USP Class VI FPM	K65AA-L21.A	9630857998	K66AA-L21.A	9630857999
		K65BA-L22.A	TBA	K66BA-L22.A	TBA
Rotary Seal / Stationary Seal Ring	'O' Rings	SX7			
		Part No.	Item No.		
Silicon Carbide / Silicon Carbide	EPDM USP Class VI FPM	K67AA-L21.A	9630858000		
		K67BA-L22.A	9630879210		

R00 Single Mechanical Seals (Complete) - SX Pump Range

2 seals per pump. It is recommended to replace both sets of seals when wear dictates seal replacement

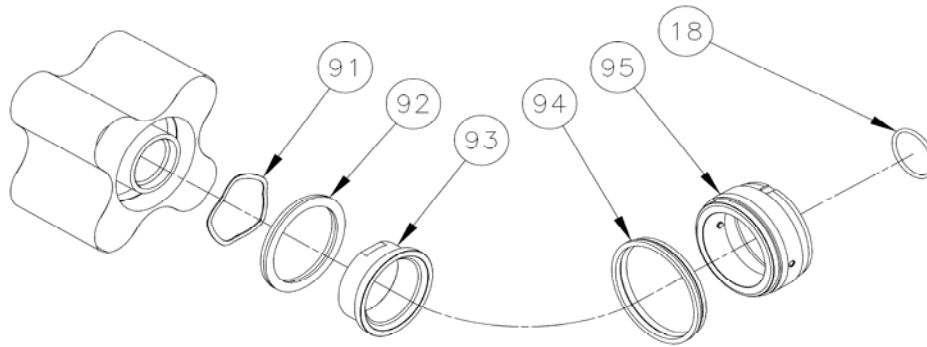
Rotary Seal / Stationary Seal Ring	'O' Rings	SX1		SX2	
		Part No.	Item No.	Part No.	Item No.
Carbon / Stainless Steel	EPDM USP Class VI	7700.101E	9630088478	7700.102E	9630085768
	FPM	7700.101V	9630088480	7700.102V	9630088486
	MVQ	7700.101S	9630092185	7700.102S	
Carbon / Silicon Carbide	EPDM USP Class VI	7700.191E	9630088482	7700.192E	9630088232
	FPM	7700.191V	9630088481	7700.192V	9630088487
	MVQ	7700.191S		7700.192S	
Silicon Carbide / Silicon Carbide	EPDM USP Class VI	7700.201E	9630088483	7700.202E	9630088489
	FPM	7700.201V	9630088485	7700.202V	9630088488
	MVQ	7700.201S		7700.202S	

Rotary Seal / Stationary Seal Ring	'O' Rings	SX3		SX4	
		Part No.	Item No.	Part No.	Item No.
Carbon / Stainless Steel	EPDM USP Class VI	7700.103E	9630088490	7700.104E	9630088493
	FPM	7700.103V	9630088491	7700.104V	9630088494
	MVQ	7700.103S		7700.104S	9630099149
Carbon / Silicon Carbide	EPDM USP Class VI	7700.193E	9630088400	7700.194E	9630088496
	FPM	7700.193V	9630088492	7700.194V	9630088495
	MVQ	7700.193S		7700.194S	
Silicon Carbide / Silicon Carbide	EPDM USP Class VI	7700.203E	9630088209	7700.204E	9630088497
	FPM	7700.203V	9630088125	7700.204V	9630076413
	MVQ	7700.203S		7700.204S	

Rotary Seal / Stationary Seal Ring	'O' Rings	SX5		SX6	
		Part No.	Item No.	Part No.	Item No.
Carbon / Stainless Steel	EPDM USP Class VI	7700.105E	9630086706	7700.106E	9630088501
	FPM	7700.105V	9630086933	7700.106V	9630088502
	MVQ	7700.105S		7700.106S	
Carbon / Silicon Carbide	EPDM USP Class VI	7700.195E	9630088498	7700.196E	9630088503
	FPM	7700.195V	9630088499	7700.196V	9630088504
	MVQ	7700.195S		7700.196S	
Silicon Carbide / Silicon Carbide	EPDM USP Class VI	7700.205E	9630087237	7700.206E	9630088506
	FPM	7700.205V	9630088500	7700.206V	9630088505
	MVQ	7700.205S		7700.206S	

Rotary Seal / Stationary Seal Ring	'O' Rings	SX7	
		Part No.	Item No.
Carbon / Stainless Steel	EPDM USP Class VI	7700.107E	9630088507
	FPM	7700.107V	9630088508
	MVQ	7700.107S	
Carbon / Silicon Carbide	EPDM USP Class VI	7700.197E	9630088509
	FPM	7700.197V	9630088510
	MVQ	7700.197S	
Silicon Carbide / Silicon Carbide	EPDM USP Class VI	7700.207E	9630088512
	FPM	7700.207V	9630088511
	MVQ	7700.207S	9630101627

R00 Single Mechanical Seal - Exploded View Drawing



R00 Single Flushed Mechanical Seals (Complete) - SX Pump Range

2 seals per pump. It is recommended to replace both sets of seals when wear dictates seal replacement

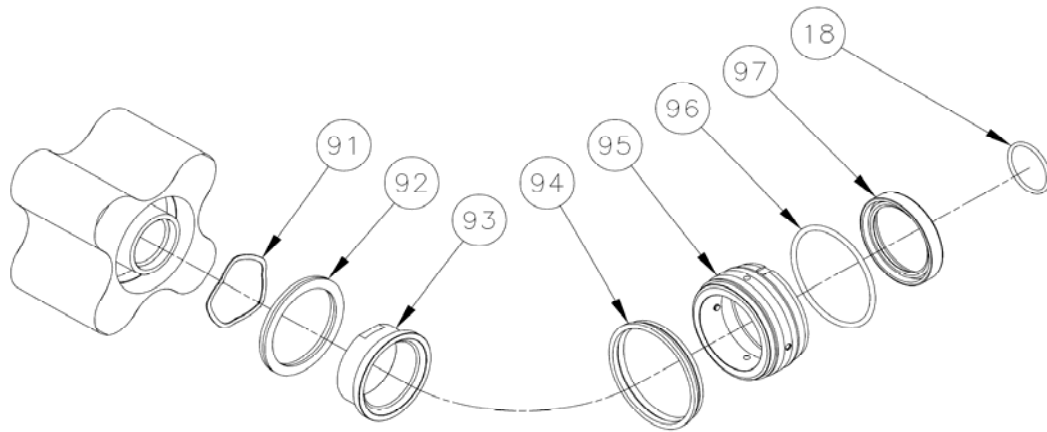
Rotary Seal / Stationary Seal Ring	'O' Rings	SX1		SX2	
		Part No.	Item No.	Part No.	Item No.
Carbon / Stainless Steel	EPDM USP Class VI	7700.221E		7700.222E	9630094760
	FPM	7700.221V		7700.222V	9630092887
	MVQ	7700.221S		7700.222S	
Carbon / Silicon Carbide	EPDM USP Class VI	7700.231E		7700.232E	9630094176
	FPM	7700.231V		7700.232V	9630089032
	MVQ	7700.231S		7700.232S	
Silicon Carbide / Silicon Carbide	EPDM USP Class VI	7700.211E		7700.212E	
	FPM	7700.211V		7700.212V	
	MVQ	7700.211S		7700.212S	

Rotary Seal / Stationary Seal Ring	'O' Rings	SX3		SX4	
		Part No.	Item No.	Part No.	Item No.
Carbon / Stainless Steel	EPDM USP Class VI	7700.223E		7700.224E	
	FPM	7700.223V		7700.224V	
	MVQ	7700.223S		7700.224S	
Carbon / Silicon Carbide	EPDM USP Class VI	7700.233E	9630090140	7700.234E	
	FPM	7700.233V		7700.234V	
	MVQ	7700.233S		7700.234S	
Silicon Carbide / Silicon Carbide	EPDM USP Class VI	7700.213E	9630088892	7700.214E	
	FPM	7700.213V		7700.214V	
	MVQ	7700.213S		7700.214S	

Rotary Seal / Stationary Seal Ring	'O' Rings	SX5		SX6	
		Part No.	Item No.	Part No.	Item No.
Carbon / Stainless Steel	EPDM USP Class VI	7700.225E		7700.226E	
	FPM	7700.225V		7700.226V	
	MVQ	7700.225S		7700.226S	
Carbon / Silicon Carbide	EPDM USP Class VI	7700.235E		7700.236E	
	FPM	7700.235V	9630099041	7700.236V	
	MVQ	7700.235S		7700.236S	
Silicon Carbide / Silicon Carbide	EPDM USP Class VI	7700.215E	9630099410	7700.216E	
	FPM	7700.215V	9630099042	7700.216V	
	MVQ	7700.215S		7700.216S	

Rotary Seal / Stationary Seal Ring	'O' Rings	SX7	
		Part No.	Item No.
Carbon / Stainless Steel	EPDM USP Class VI	7700.227E	
	FPM	7700.227V	
	MVQ	7700.227S	
Carbon / Silicon Carbide	EPDM USP Class VI	7700.237E	
	FPM	7700.237V	9630095965
	MVQ	7700.237S	
Silicon Carbide / Silicon Carbide	EPDM USP Class VI	7700.217E	
	FPM	7700.217V	9630096367
	MVQ	7700.217S	

R00 Single Flushed Mechanical Seal - Exploded View Drawing



R00 Double Mechanical Seals (Complete) - SX1 and SX2 Pump Models

2 seals per pump. It is recommended to replace both sets of seals when wear dictates seal replacement.

The squad ring is replaced by a conventional 'o' ring if the pressure between the seal flush media and pump head discharge pressure is likely to exceed 8 bar.

Inboard Seal	Outboard Seal	Elastomer	< 5 bar SX1		> 5 bar SX1	
Rotary Seal / Stationary Seal Ring	Rotary Seal / Stationary Seal Ring		Part No.	Item No.	Part No.	Item No.
Carbon / Silicon Carbide	Carbon / Stainless Steel	EPDM FPM MVQ	7700.601E 7700.601V 7700.601S		7700.601E/5 7700.601V/5 7700.601S/5	
Carbon / Silicon Carbide	Carbon / Silicon Carbide	EPDM FPM MVQ	7700.611E 7700.611V 7700.611S		7700.611E/5 7700.611V/5 7700.611S/5	
Silicon Carbide / Silicon Carbide	Carbon / Stainless Steel	EPDM FPM MVQ	7700.701E 7700.701V 7700.701S		7700.701E/5 7700.701V/5 7700.701S/5	
Silicon Carbide / Silicon Carbide	Carbon / Silicon Carbide	EPDM FPM MVQ	7700.711E 7700.711V 7700.711S	9630092953	7700.711E/5 7700.711V/5 7700.711S/5	

Inboard Seal	Outboard Seal	Elastomer	< 5 bar SX2		> 5 bar SX2	
Rotary Seal / Stationary Seal Ring	Rotary Seal / Stationary Seal Ring		Part No.	Item No.	Part No.	Item No.
Carbon / Silicon Carbide	Carbon / Stainless Steel	EPDM FPM MVQ	7700.602E 7700.602V 7700.602S	9630089284	7700.602E/5 7700.602V/5 7700.602S/5	
Carbon / Silicon Carbide	Carbon / Silicon Carbide	EPDM FPM MVQ	7700.612E 7700.612V 7700.612S		7700.612E/5 7700.612V/5 7700.612S/5	
Silicon Carbide / Silicon Carbide	Carbon / Stainless Steel	EPDM FPM MVQ	7700.702E 7700.702V 7700.702S	9630099040	7700.702E/5 7700.702V/5 7700.702S/5	
Silicon Carbide / Silicon Carbide	Carbon / Silicon Carbide	EPDM FPM MVQ	7700.712E 7700.712V 7700.712S		7700.712E/5 7700.712V/5 7700.712S/5	

R00 Double Mechanical Seals (Complete) - SX3 and SX4 Pump Models

2 seals per pump. It is recommended to replace both sets of seals when wear dictates seal replacement.

The squad ring is replaced by a conventional 'o' ring if the pressure between the seal flush media and pump head discharge pressure is likely to exceed 8 bar.

Inboard Seal Rotary Seal / Stationary Seal Ring	Outboard Seal Rotary Seal / Stationary Seal Ring	Elastomer	< 5 bar SX3		> 5 bar SX3	
			Part No.	Item No.	Part No.	Item No.
Carbon / Silicon Carbide	Carbon / Stainless Steel	EPDM FPM MVQ	7700.603E 7700.603V 7700.603S		7700.603E/5 7700.603V/5 7700.603S/5	
Carbon / Silicon Carbide	Carbon / Silicon Carbide	EPDM FPM MVQ	7700.613E 7700.613V 7700.613S		7700.613E/5 7700.613V/5 7700.613S/5	
Silicon Carbide / Silicon Carbide	Carbon / Stainless Steel	EPDM FPM MVQ	7700.703E 7700.703V 7700.703S	9630086974 9630087910	7700.703E/5 7700.703V/5 7700.703S/5	
Silicon Carbide / Silicon Carbide	Carbon / Silicon Carbide	EPDM FPM MVQ	7700.713E 7700.713V 7700.713S		7700.713E/5 7700.713V/5 7700.713S/5	

Inboard Seal Rotary Seal / Stationary Seal Ring	Outboard Seal Rotary Seal / Stationary Seal Ring	Elastomer	< 5 bar SX4		> 5 bar SX4	
			Part No.	Item No.	Part No.	Item No.
Carbon / Silicon Carbide	Carbon / Stainless Steel	EPDM FPM MVQ	7700.604E 7700.604V 7700.604S	9630085932	7700.604E/5 7700.604V/5 7700.604S/5	9630085933
Carbon / Silicon Carbide	Carbon / Silicon Carbide	EPDM FPM MVQ	7700.614E 7700.614V 7700.614S		7700.614E/5 7700.614V/5 7700.614S/5	
Silicon Carbide / Silicon Carbide	Carbon / Stainless Steel	EPDM FPM MVQ	7700.704E 7700.704V 7700.704S		7700.704E/5 7700.704V/5 7700.704S/5	
Silicon Carbide / Silicon Carbide	Carbon / Silicon Carbide	EPDM FPM MVQ	7700.714E 7700.714V 7700.714S	9630087511	7700.714E/5 7700.714V/5 7700.714S/5	9630092624

R00 Double Mechanical Seals (Complete) - SX5-7 Pump Models

2 seals per pump. It is recommended to replace both sets of seals when wear dictates seal replacement.

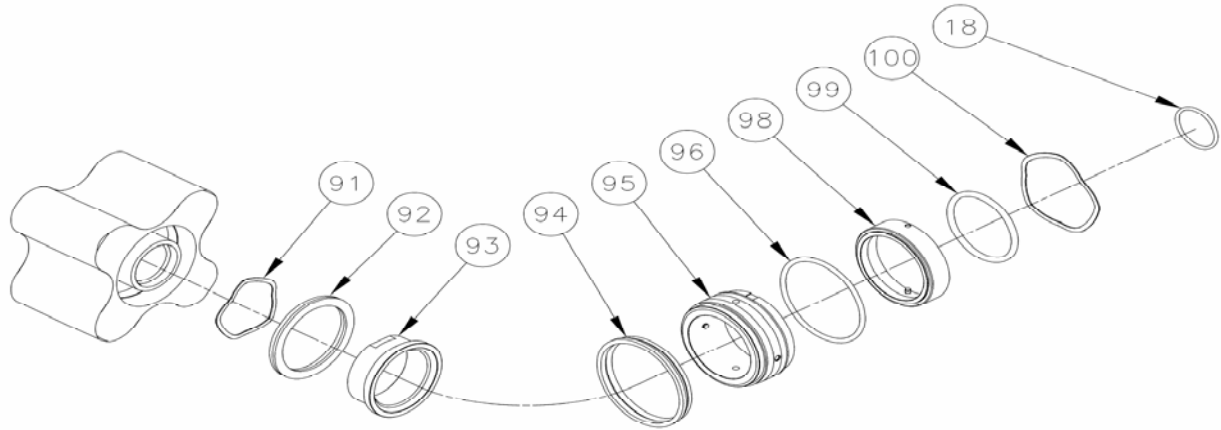
The squad ring is replaced by a conventional 'o' ring if the pressure between the seal flush media and pump head discharge pressure is likely to exceed 8 bar.

Inboard Seal Rotary Seal / Stationary Seal Ring	Outboard Seal Rotary Seal / Stationary Seal Ring	Elastomer	< 5 bar SX5		> 5 bar SX5	
			Part No.	Item No.	Part No.	Item No.
Carbon / Silicon Carbide	Carbon / Stainless Steel	EPDM FPM MVQ	7700.605E 7700.605V 7700.605S		7700.605E/5 7700.605V/5 7700.605S/5	
Carbon / Silicon Carbide	Carbon / Silicon Carbide	EPDM FPM MVQ	7700.615E 7700.615V 7700.615S		7700.615E/5 7700.615V/5 7700.615S/5	
Silicon Carbide / Silicon Carbide	Carbon / Stainless Steel	EPDM FPM MVQ	7700.705E 7700.705V 7700.705S		7700.705E/5 7700.705V/5 7700.705S/5	
Silicon Carbide / Silicon Carbide	Carbon / Silicon Carbide	EPDM FPM MVQ	7700.715E 7700.715V 7700.715S		7700.715E/5 7700.715V/5 7700.715S/5	

Inboard Seal Rotary Seal / Stationary Seal Ring	Outboard Seal Rotary Seal / Stationary Seal Ring	Elastomer	< 5 bar SX6		> 5 bar SX6	
			Part No.	Item No.	Part No.	Item No.
Carbon / Silicon Carbide	Carbon / Stainless Steel	EPDM FPM MVQ	7700.606E 7700.606V 7700.606S		7700.606E/5 7700.606V/5 7700.606S/5	
Carbon / Silicon Carbide	Carbon / Silicon Carbide	EPDM FPM MVQ	7700.616E 7700.616V 7700.616S		7700.616E/5 7700.616V/5 7700.616S/5	
Silicon Carbide / Silicon Carbide	Carbon / Stainless Steel	EPDM FPM MVQ	7700.706E 7700.706V 7700.706S		7700.706E/5 7700.706V/5 7700.706S/5	
Silicon Carbide / Silicon Carbide	Carbon / Silicon Carbide	EPDM FPM MVQ	7700.716E 7700.716V 7700.716S	9630095935	7700.716E/5 7700.716V/5 7700.716S/5	

Inboard Seal Rotary Seal / Stationary Seal Ring	Outboard Seal Rotary Seal / Stationary Seal Ring	Elastomer	< 5 bar SX7		> 5 bar SX7	
			Part No.	Item No.	Part No.	Item No.
Carbon / Silicon Carbide	Carbon / Stainless Steel	EPDM FPM MVQ	7700.607E 7700.607V 7700.607S		7700.607E/5 7700.607V/5 7700.607S/5	
Carbon / Silicon Carbide	Carbon / Silicon Carbide	EPDM FPM MVQ	7700.617E 7700.617V 7700.617S		7700.617E/5 7700.617V/5 7700.617S/5	
Silicon Carbide / Silicon Carbide	Carbon / Stainless Steel	EPDM FPM MVQ	7700.707E 7700.707V 7700.707S		7700.707E/5 7700.707V/5 7700.707S/5	
Silicon Carbide / Silicon Carbide	Carbon / Silicon Carbide	EPDM FPM MVQ	7700.717E 7700.717V 7700.717S	9630090029	7700.717E/5 7700.717V/5 7700.717S/5	

R00 Double Mechanical Seal - Exploded View Drawing



R00 Mechanical Seals (Parts) - SX1 and SX2 Pump Models

Drg No.	Description	Material	Qty	SX1		SX2	
				Part No	Item No	Part No	Item No
Parts for single R00 seals							
18	O' Ring, rotor sealing shaft end	EPDM USP Class VI FPM MVQ USP Class VI	2	5380.821 5380.389 5380.680	9630127026 9630022907 9630070311	1556.018 1551.018 5380.775	9630854853 9630035241 9630126677
92	Squad Ring	EPDM USP Class VI FPM MVQ	2	5383.105 5383.101 5383.104	9630069434 9630069440 9630069437	5383.205 5383.201 5383.204	9630069435 9630069654 9630069438
93	Rotary Seal Ring	Carbon Silicon Carbide	2	R5610.141 R5610.121	9630075409 9630069795	R5610.142 R5610.122	9630075423 9630069796
94	Cup Seal	EPDM USP Class VI FPM MVQ	2	5382.105 5382.101 5382.104	9630069424 9630069429 9630069427	5382.205 5382.201 5382.204	9630069425 9630069430 9630069428
95	Stationary Seal Ring	Stainless Steel Silicon Carbide	2	R5630.151 R5630.121	9630075411 9630069809	R5630.152 R5630.122	9630075424 9630069810

Additional parts to convert above R00 single seals to single flushed seals

Drg No.	Description	Material	Qty	SX1		SX2	
				Part No	Item No	Part No	Item No
95* note 1	Stationary Seal Ring	Stainless Steel Silicon Carbide	2	R5630.171 R5630.111	9630075645 9630069802	R5630.172 R5630.112	9630075646 9630069803
96	Stationary Seal Ring 'O' Ring	EPDM FPM MVQ	2	1555.123 1551.123 1554.123	9630037138 9630037140 9630043327	1555.131 1551.131 1554.131	9630023531 9630023418 9630074739
97	Lip Seal	FPM	2	5320.021	9630075620	5320.022	9630075621

Note 1: 95* replaces 95 above.

Note 2: To convert to single flush seal also requires drg item no.18 ('O' ring) and 59 (elbow).

Additional parts to convert above R00 single seals to double flushed seals

Drg No.	Description	Material	Qty	SX1		SX2	
				Part No	Item No	Part No	Item No
92* note 2	Rotary Seal Ring 'O' Ring	EPDM FPM MVQ	2	5380.695 5380.692 5380.694	9630071261 9630071246 9630071260	1555.324 1551.324 1554.324	9630074754 9630074750 9630074752
95* note 1	Stationary Seal Ring	Sil.Car (inboard) / St.Stl (outboard)	2	R5630.141	9630069817	R5630.142	9630069820
		Sil.Car (inboard) / Sil.Car (outboard)		R5630.131	9630069816	R5630.132	9630069819
96	Stationary Seal Ring 'O' Ring	EPDM FPM MVQ	2	As 6 above		As 6 above	
98	Rotary Seal Ring (outboard)	Carbon	2	R5610.131	9630069832	R5610.132	9630069833
99	Rotary Seal Ring 'O' Ring	EPDM FPM MVQ	2	5380.416 5380.753 5380.679	9630043405 9630111351 9630074749	5380.686 5380.684 5380.696	9630071238 9630071237 9630071259

Note 1: 95* replaces 95 above.

Note 2: The squad ring is replaced by a conventional 'o' ring if the pressure difference between the seal flush media and pump head discharge pressure is likely to exceed 8 bar (ie 92* replaces 92 above).

Note 3: To convert to double seal also requires drg item no.18 ('O' ring) and 59 (elbow).

Wave springs supplied with drg no. 93 and 98 rotary seal rings:

91	Wave Spring		2	R6300.051	9630075413	R6300.052	9630075425
100	Wave Spring		2	R6300.061	9630075414	R6300.062	9630075426

R00 Mechanical Seals (Parts) - SX3 and SX4 Pump Models

Drg No.	Description	Material	Qty	SX3		SX4	
				Part No	Item No	Part No	Item No
Parts for single R00 seals							
18	O' Ring, rotor sealing shaft end	EPDM USP Class VI FPM MVQ USP Class VI	2	1556.020 1551.020 5380.758	9630854463 9630046186 9630124023	1556.027 1551.027 5380.751	9630854854 9630070327 9630105358
92	Squad Ring	EPDM USP Class VI FPM MVQ	2	5383.305 5383.301 5383.304	9630069433 9630069442 9630069439	5383.405 5383.401 5383.404	9630069436 9630069444 9630069443
93	Rotary Seal Ring	Carbon Silicon Carbide	2	R5610.143 R5610.123	9630075427 9630069797	R5610.144 R5610.124	9630075431 9630069798
94	Cup Seal	EPDM USP Class VI FPM MVQ	2	5382.305 5382.301 5382.304	9630069421 9630069423 9630069422	5382.405 5382.401 5382.404	9630069426 9630069432 9630069431
95	Stationary Seal Ring	Stainless Steel Silicon Carbide	2	R5630.153 R5630.123	9630075428 9630069811	R5630.154 R5630.124	9630075432 9630069812

Additional parts to convert above R00 single seals to single flushed seals

Drg No.	Description	Material	Qty	SX3		SX4	
				Part No	Item No	Part No	Item No
95* note 1	Stationary Seal Ring	Stainless Steel Silicon Carbide	2	R5630.173 R5630.113	9630075647 9630069804	R5630.174 R5630.114	9630075648 9630069805
96	Stationary Seal Ring 'O' Ring	EPDM FPM MVQ	2	1555.134 1551.134 1554.134	9630043509 9630058536 9630074204	1555.144 1551.144 1554.144	9630038946 9630038945 9630071262
97	Lip Seal	FPM	2	5320.023	9630075622	5320.024	9630075623

Note 1: 95* replaces 95 above.

Note 2: To convert to single flush seal also requires drg item no.18 ('O' ring) and 59 (elbow).

Additional parts to convert above R00 single seals to double flushed seals

Drg No.	Description	Material	Qty	SX3		SX4	
				Part No	Item No	Part No	Item No
92* note 2	Rotary Seal Ring 'O' Ring	EPDM FPM MVQ	2	1555.325 1551.325 1554.325	9630074755 9630023463 9630074753	1555.330 1551.330 1554.330	9630074756 9630040291 9630074760
95* note 1	Stationary Seal Ring	Sil.Car (inboard) / St.Stl (outboard)	2	R5630.143	9630069822	R5630.144	9630069825
		Sil.Car (inboard) / Sil.Car (outboard)		R5630.133	9630069821	R5630.134	9630069823
96	Stationary Seal Ring 'O' Ring	EPDM FPM MVQ	2	As 6 above		As 6 above	
98	Rotary Seal Ring (outboard)	Carbon	2	R5610.133	9630069834	R5610.134	9630069835
99	Rotary Seal Ring 'O' Ring	EPDM FPM MVQ	2	5380.691 5380.069 5380.687	9630071245 9630024187 9630071239	1555.830 1551.830 1554.830	9630071265 9630071264 9630071263

Note 1: 95* replaces 95 above.

Note 2: The squad ring is replaced by a conventional 'o' ring if the pressure difference between the seal flush media and pump head discharge pressure is likely to exceed 8 bar (ie 92* replaces 92 above).

Note 3: To convert to double seal also requires drg item no.18 ('O' ring) and 59 (elbow).

Wave springs supplied with drg no. 93 and 98 rotary seal rings:

91	Wave Spring	2	R6300.053	9630075429	R6300.054	9630075433
100	Wave Spring	2	R6300.063	9630075430	R6300.064	9630075434

R00 Mechanical Seals (Parts) - SX5 and SX6 Pump Models

Drg No.	Description	Material	Qty	SX5		SX6	
				Part No	Item No	Part No	Item No
Parts for single R00 seals							
18	O' Ring, rotor sealing shaft end	EPDM USP Class VI FPM MVQ USP Class VI	2	1556.134 1551.134 5380.823	9630854855 9630058536 9630858819	1556.141 5380.754 5380.752	9630854891 9630111352 9630105357
92	Squad Ring	EPDM USP Class VI FPM MVQ	2	5383.505 5383.501 5383.504	9630069867 9630069868 9630069869	5383.605 5383.601 5383.604	9630069870 9630069872 9630069873
93	Rotary Seal Ring	Carbon Silicon Carbide	2	R5610.145 R5610.125	9630075435 9630069799	R5610.146 R5610.126	9630075439 9630069800
94	Cup Seal	EPDM USP Class VI FPM MVQ	2	5382.505 5382.501 5382.504	9630069858 9630069861 9630069862	5382.605 5382.601 5382.604	9630069859 9630069863 9630069864
95	Stationary Seal Ring	Stainless Steel Silicon Carbide	2	R5630.155 R5630.125	9630075436 9630069813	R5630.156 R5630.126	9630075440 9630069814

Additional parts to convert above R00 single seals to single flushed seals

Drg No.	Description	Material	Qty	SX5		SX6	
				Part No	Item No	Part No	Item No
95* note 1	Stationary Seal Ring	Stainless Steel Silicon Carbide	2	R5630.175 R5630.115	9630075649 9630069806	R5630.176 R5630.116	9630075650 9630069807
96	Stationary Seal Ring 'O' Ring	EPDM FPM MVQ	2	1555.234 1551.234 1554.234	9630022854 9630023452 9630042618	5380.757 5380.756 1554.238	9630111355 9630111354 9630074740
97	Lip Seal	FPM	2	5320.025	9630075624	5320.026	9630075625

Note 1: 95* replaces 95 above.

Note 2: To convert to single flush seal also requires drg item no.18 ('O' ring) and 59 (elbow).

Additional parts to convert above R00 single seals to double flushed seals

Drg No.	Description	Material	Qty	SX5		SX6	
				Part No	Item No	Part No	Item No
92* note 2	Rotary Seal Ring 'O' Ring	EPDM FPM MVQ	2	1555.335 1551.335 1554.335	9630074757 9630023472 9630074762	1555.339 5380.652 1554.339	9630030198 9630063124 9630074764
95* note 1	Stationary Seal Ring	Sil.Car (inboard) / St.Stl (outboard)	2	R5630.145	9630069827	R5630.146	9630069829
		Sil.Car (inboard) / Sil.Car (outboard)		R5630.135	9630069826	R5630.136	9630069828
96	Stationary Seal Ring 'O' Ring	EPDM FPM MVQ	2	As 6 above		As 6 above	
98	Rotary Seal Ring (outboard)	Carbon	2	R5610.135	9630069836	R5610.136	9630069837
99	Rotary Seal Ring 'O' Ring	EPDM FPM MVQ	2	1555.231 1551.231 1554.231	9630023538 9630023448 9630074742	1555.234 1551.234 1554.234	9630022854 9630023452 9630042618

Note 1: 95* replaces 95 above.

Note 2: The squad ring is replaced by a conventional 'o' ring if the pressure difference between the seal flush media and pump head discharge pressure is likely to exceed 8 bar (ie 92* replaces 92 above).

Note 3: To convert to double seal also requires drg item no.18 ('O' ring) and 59 (elbow).

Wave springs supplied with drg no. 93 and 98 rotary seal rings:

91	Wave Spring		2	R6300.055	9630075437	R6300.056	9630075441
100	Wave Spring		2	R6300.065	9630075438	R6300.066	9630075442

R00 Mechanical Seals (Parts) - SX7 Pump Models					
Drg No.	Description	Material	Qty	SX7	
				Part No	Item No
Parts for single R00 seals					
18	O' Ring, rotor sealing shaft end	EPDM USP Class VI FPM MVQ USP Class VI	2	1556.230 5380.248 5380.759	9630854473 9630025398 9630124024
92	Squad Ring	EPDM USP Class VI FPM MVQ	2	5383.705 5383.701 5383.704	9630069871 9630069875 9630069874
93	Rotary Seal Ring	Carbon Silicon Carbide	2	R5610.147 R5610.127	9630075446 9630069801
94	Cup Seal	EPDM USP Class VI FPM MVQ	2	5382.705 5382.701 5382.704	9630069860 9630069865 9630069866
95	Stationary Seal Ring	Stainless Steel Silicon Carbide	2	R5630.157 R5630.127	9630075447 9630069815
Additional parts to convert above R00 single seals to single flushed seals					
Drg No.	Description	Material	Qty	SX7	
				Part No	Item No
95* note 1	Stationary Seal Ring	Stainless Steel Silicon Carbide	2	R5630.177 R5630.117	9630075651 9630069808
96	Stationary Seal Ring 'O' Ring	EPDM FPM MVQ	2	1555.244 1551.244 1554.244	9630037180 9630037183 9630043332
97	Lip Seal	FPM	2	5320.027	9630075626
Note 1: 95* replaces 95 above. Note 2: To convert to single flush seal also requires drg item no.18 and 59.					
Additional parts to convert above R00 single seals to double flushed seals					
Drg No.	Description	Material	Qty	SX7	
				Part No	Item No
92* note 2	Rotary Seal Ring 'O' Ring	EPDM FPM MVQ	2	1555.344 1551.344 1554.344	9630074758 9630074759 9630074765
95* note 1	Stationary Seal Ring	Sil.Car (inboard) / St.Stl (outboard)	2	R5630.147	9630069831
		Sil.Car (inboard) / Sil.Car (outboard)		R5630.137	9630069830
96	Stationary Seal Ring 'O' Ring	EPDM FPM MVQ	2	As 6 above	
98	Rotary Seal Ring (outboard)	Carbon	2	R5610.137	9630069538
99	Rotary Seal Ring 'O' Ring	EPDM FPM MVQ	2	1555.239 1551.239 1554.239	9630023539 9630023456 9630074743
Note 1: 95* replaces 95 above. Note 2: The squad ring is replaced by a conventional 'o' ring if the pressure difference between the seal flush media and pump head discharge pressure is likely to exceed 8 bar (ie 92* replaces 92 above). Note 3: To convert to double seal also requires drg item no.18 and 59.					
Wave springs supplied with drg no. 93 and 98 rotary seal rings:					
91	Wave Spring		2	R6300.057	9630075444
100	Wave Spring		2	R6300.067	9630075445

ATEX Parts					
Drq No.	Description		Qty	Part No.	Item No.
8	Shim - stainless steel	SX1	1 set	6150.151	9630034304
		SX2		6150.153	9630034201
		SX3		6150.155	9630034030
		SX4		6150.157	9630033704
		SX5		6150.159	9630033411
		SX6		6150.161	9630033392
		SX7		tba	tba
46	Sight glass		1	5480.010	9630855435
47	Filler plug		1	5192.286	9630105171
50	Gland guard	SX1	2	5243.141	9630111575
		SX2		5243.142	9630111576
		SX3		5243.143	9630111577
		SX4		5243.144	9630111562
		SX5		5243.145	9630111644
		SX6		5243.146	9630111645
		SX7		5243.147	9630111646
	Stud, earthing	SX1	1	6350.148	9630105360
		SX2-4		6350.149	9630105362
		SX5-7		6350.148	9630105360
	Nut, earthing stud		2	5330.003	9630024057
	Washer, lock		2	6410.009	9630105264
	Earth bonding cable		1	4450.222	9630105267
	Terminal copper tube		2	4450.223	9630105435
	Earth bonding tag		1	5410.088	9630105614

Revision History - SX Pump Range

Issue	Ref	Date	Description
	-	1999	SX range introduced and replaces SK MKII.
1999-09	TM	01-09-1999	New manual issue 1 ref SPM703/01
1.01	CH	17-11-2000	Pump drg item no 14A (gasket) deleted. The gaskets are no longer available and silicone sealant (item Z3717.0001) is used.
1.02	CH	17-11-2000	SX1-3 Drg. Item no. 45 revised from part number 5470.001 item 9630024417 to part number 1660.004 item 9630023546.
1.03	CH	17-11-2000	SX4-7 Drg. Item no. 45 revised from part number 5470.003 item 9630040436 to part number 1660.008 item 9630023548.
1.04	CH5827	17-11-2000	SX1-4 Drg Item no. 49 universal mounting blanking plug (qty=4) added. SX1 part number 5470.022 item 9630089950 SX2-3 part number 5470.020 item 9630087278 SX4 part number 5470.021 item 9630089949
1.05	CH10543	07-01-2002	Item numbers of rotorcases revised.
1.06		01-11-2002	SX1 Drg. Item no. 3 corrected to Qty 4 off part number 6350.146 item 9630074135 (SX1/005) and Qty 4 off part number 6350.135 item 9630052259 (SX1/007).
1.07		01-11-2002	SX1 Drg. Item no. 10 deleted (SX1/005) and part number corrected (SX1/007) to 6350.135 item 9630052259.
1.08		01-11-2002	SX3 Drg. Item no 18 corrected from part number 5380.569 item 9630057521 to part number 1551.020 item
1.09		01-11-2002	SX1-4 Drg Item no. for foot, foot gasket, and bolt renumbered from 1B, 1A, and 1C to 54-58.
1.10		01-11-2002	SX1-7 Drg Item no. 50-53 details of gland guards and fixings added.
1.11		01-11-2002	SX1-7 Drg Item no. 49 rotor retainer removal tool renumbered from 49 to 60.
1.12		01-11-2002	SX1-7 Drg Item no. 59 details of rotorcase blanking plugs and flush connections added.
1.13		01-11-2002	SX1-7 Drg Item no. 48 details of plug added.
1.14		01-11-2002	SX7 Drg Item no. 18 FPM corrected from part number 1551.230 item 9630023447 to part number 5380.248 item 9630025398.
1.15		01-11-2002	SX7 Drg Item no. 18 EPDM corrected from part number 1555.230 item 9630023537 to part number 5380.250 item 9630025437.
1.16		01-11-2002	R00 Double seal option Carbon/Stainless Steel v Carbon/Stainless Steel deleted.
1.17		01-11-2002	R00 Single mechanical seal drg item no. 1 wave spring indicated separately as it is always supplied with drg item no. 3 rotary face.
1.18		01-11-2002	SX2 R00 Single flushed mechanical seal drg item no. 5 corrected from part number R5630.122 item 9630069810 to part R5630.112 item 9630069803.
1.19		01-11-2002	SX1 R00 Single flushed mechanical seal drg item no. 6 corrected from part number 1555.123 to part number 1555.123.
1.20		01-11-2002	R00 Single flushed mechanical seal drg item no. 8 circlip deleted.
1.21		01-11-2002	R00 Double mech seal drg item no. 9 deleted.
1.22		01-11-2002	R00 Double mechanical seal drg item no. 10 wave spring indicated separately as it is always supplied with drg item no. 7 rotary face.

Revision History - SX Pump Range

Issue	Ref	Date	Description
2	0211	01-11-2002	NEW MANUAL SX
2.01	CH10670	25-02-2003	Drg. No 18 'O' ring revised to be included in all pump specifications instead of only when flushed seals fitted.
2.02		01-10-2003	SX1 Rotary Seal 'O' Ring Drg Item no. 8 EPDM corrected from part number 5380.146 to part number 5380.416
2.03		01-10-2003	SX3 Rotary Seal Ring Drg Item no. 7 corrected from part number R5610.133 to part number R5610.133
2.04	CH10716	01-10-2003	SX1-4 Vertically ported (H) gearcase removed (part numbers 5220.521, 5220.522, 5220.523 and 5220.524
2.05	CH10722	17-11-2003	SX4 Rotary Seal 'O' Ring Drg Item no. 2 for Double R00 corrected from part number 5380.681 to part number 1551.330
2.06	CH10722	17-11-2003	SX6 Rotary Seal 'O' Ring Drg Item no. 2 for Double R00 corrected from part number 5380.682 to part number 5380.652
2.07	CH10722	17-11-2003	SX1 Rotary Seal 'O' Ring Drg Item no. 8 for Double R00 corrected from part number 5380.319 to part number 5380.753
2.08	CH10722	17-11-2003	SX6 Stationary Seal 'O' Ring Drg Item no. 6 for Single Flushed R00 corrected from part number 1551.238 to part number 5380.756
2.09	CH10722	17-11-2003	SX6 Stationary Seal 'O' Ring Drg Item no. 6 for Single Flushed R00 corrected from part number 1555.238 to part number 5380.757
2.10	CH10722	17-11-2003	SX6 Rotor Sealing 'O' Ring Drg Item no. 18 corrected from part number 1551.141 to part number 5380.754
2.11	CH10722	17-11-2003	SX6 Rotor Sealing 'O' Ring Drg Item no. 18 corrected from part number 1555.141 to part number 5380.755
2.12	CH10704	30-06-2004	Shim retainer part numbers changed - SX1 from 6150.281 to 6150.261, SX2 from 6150.282 to 6150.312, SX3 from 6150.283 to 6150.313, SX4 from 6150.284 to 6150.314, SX5 from 6150.285 to 6150.315 and SX6 from 6150.286 to 6150.266 - SX7 unchanged.
2.13	CH10704	23-07-2004	Shim set part numbers changed - SX1 from 6150.291 to 6150.150, SX2 from 6150.292 to 6150.152, SX3 from 6150.293 to 6150.154, SX4 from 6150.294 to 6150.156, SX5 from 6150.295 to 6150.158 and SX6 from 6150.296 to 6150.160 - SX7 unchanged.
3	0503	01-03-2005	Manual updated to include latest R00 seal drawings and parts list.
3.01	CH10783	01-03-2005	Various rotor clearance options removed (SX1/007 - 5780.007C, SX2/013 - 5780.013K, SX2/018 - 5780.018C, SX3/027 - 5780.027K, SX3/035 - 5780.035C and SX4/046 - 5780.046K).
3.02	CH-10978	16-02-2006	Rotor Sealing 'O' Ring Drg Item no. 18 added to mechanical seal kits - seal drawings changed appropriately.
3.03	CH10984	16-02-2006	SX Rotor part numbers changed to reflect 3.1 traceability as standard.
3.04		22-02-2006	Electropolished parts added.
3.05	CH-10866	23-02-2006	USP Class VI description added to EPDM elastomers.
3.06		23-02-2006	Cover/Rotor Seal Kits added.
3.07	CH-10952	23-02-2006	Part numbers for Rotor TLA Clamp Tool added for SX6-7.
3.08		28-02-2006	ATEX parts added.
3.09	CH-10702	28-02-2006	Feet gaskets removed SX1-4. Exploded view drawings amended.
3.10	CH-10847	28-02-2006	SX3 Vertically ported foot part number changed from 5225.403 to 5225.413. SX3 Gearcase part number changed from 5220.513 to 5220.353
4	0603	01-03-2006	NEW ISSUE
4.01	CH-10895	28-08-2006	USP Class VI description added to MVQ rotor sealing shaft end elastomers. Part numbers for same elastomers changed SX2-7 (SX2 - 1554.018 now 5380.775, SX3 - 1554.020 now 5380.758, SX4 - 1554.027 now 5380.751, SX5 - 1554.134 now 5380.823, SX6 - 1554.141 now 5380.752, SX7 - 1554.230 now 5380.759)
4.02	-	22-06-2007	Note added to advise of 3.1 Traceability and Electropolished Certification.
4.03		07-07-2008	Service Kits added to include Cover/Sealing Kits and R00 Single Mechanical Seals.