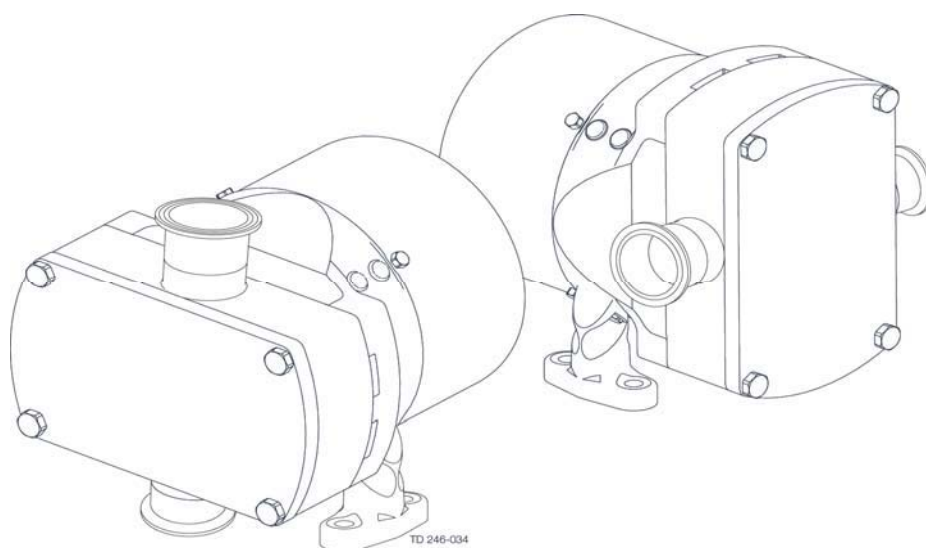


ALFA LAVAL LTD

OPTILOBE RANGE
ROTARY LOBE PUMPS

SPARE PARTS LIST

June-08 (Issue 3.00)



Alfa Laval Eastbourne
Alfa Laval Ltd
Birch Road, Eastbourne
East Sussex BN23 6PQ
United Kingdom

Tel: +44 (0) 1323 412555
Fax: +44 (0) 1323 414515
www.alfalaval.com



Table of contents

Page No.	Contents
3	<u>22 / 23 Pump</u>
4	<u>32 / 33 Pump</u>
5	<u>42 / 43 Pump</u>
6	<u>Pump Exploded View Drawing</u>
7	<u>Cover / Spline Sealing Kits</u>
8	<u>Service Kits - 22 / 23 Pump</u>
9	<u>Service Kits - 32 / 33 Pump</u>
10	<u>Service Kits - 42 / 43 Pump</u>
11	<u>EasyFit Single Mechanical Seal Exploded View</u>
12	<u>EasyFit Single Flushed Mechanical Seal Exploded View</u>
13	<u>Revision History</u>

Notes

This publication is strictly confidential and remains the property of Alfa Laval Ltd. without whose written permission it must not be copied, reproduced or shown to third parties, and maybe subject to change without prior notice.

When identifying the spare parts required it is important to check the pump specification by referring to the pump serial number.

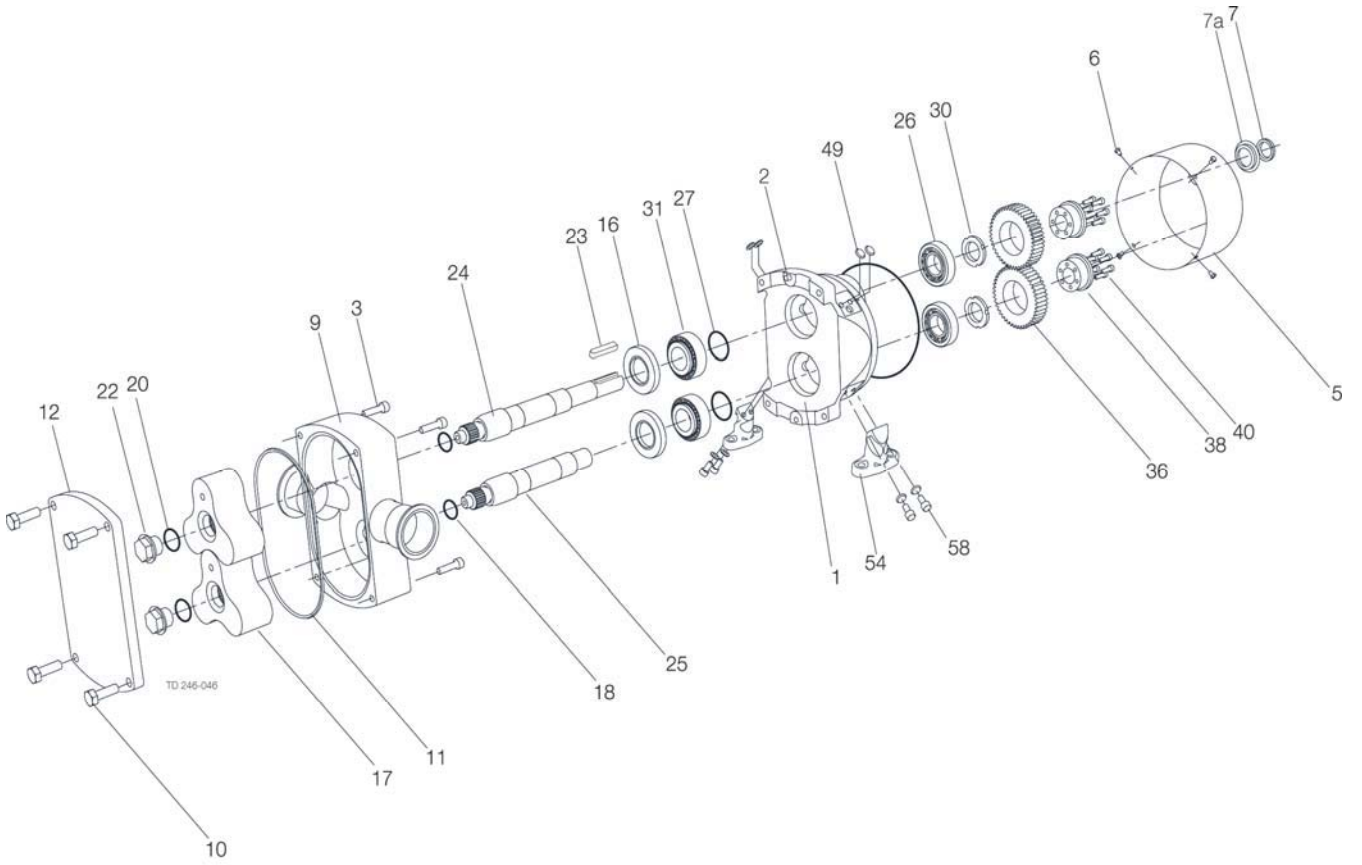


OptiLobe 22 / 23 Pump					
Drg No.	Description	Qty	Part No.	Article No.	
1	Bearing housing	1	9630634101	9630634101	
2	Dowel	2	5170.025	9630030093	
3	Screw, rotorcase retention	4	31499.5201.1	9630037029	
5	Canister	1	9630637101	9630637101	
6	Screw, canister retention	4	5950.091	9630863216	
	Washer, canister screw	4	31499.5962.2	9630038040	
7	Lip seal, drive end		NBR	9630644507	
7A	Carrier, lip seal	1	9630633201	9630633201	
9	Rotorcase	1	IDF	9630623201	9630623201
			Tri-Clamp	9630623202	9630623202
			SMS 22 (40 mm)	9630623203	9630623203
			DIN 11851	9630623204	9630623204
			RJT	9630623205	9630623205
			IDF	9630623301	9630623301
			Tri-Clamp	9630623302	9630623302
			SMS 23 (40 mm)	9630623303	9630623303
			DIN 11851	9630623304	9630623304
			RJT	9630623305	9630623305
10	Screw, rotorcase cover	4	5950.027	9630024554	
11	'O' ring - cover	1	FPM	1551.255	9630044927
			EPDM	1555.255	9630044928
12	Cover, rotorcase	1	9630639601	9630639601	
16	Lip seal, gland end	2	9630644502	9630644502	
17	Rotor, Trilobe Stainless Steel	2	8 bar 130°C 22	9630630201	9630630201
			8 bar 130°C 23	9630630301	9630630301
18	'O' Ring, rotor sealing shaft end	2	FPM	1551.115	9630023407
			EPDM	1555.115	9630863409
20	'O' Ring, rotor sealing nut end	2	FPM	1551.218	9630019388
			EPDM	5380.804	9630861548
21	'O' Ring, canister	1	1550.255	9630039204	
22	Nut, rotor retention	2	22	9630641401	9630641401
			23	9630641501	9630641501
23	Key	1	5270.007	9630023916	
24	Shaft, drive	1	9630638601	9630638601	
25	Shaft, auxiliary	1	9630639101	9630639101	
26	Bearing, rear	2	5080.027	9630861678	
			0.050	9630642525	9630642525
			0.075	9630642527	9630642527
27	Shim, shaft abutment	2	0.100	9630642530	9630642530
30	Nut, bearing	2	5340.055	9630056683	
31	Bearing, front	2	5080.028	9630861679	
36	Timing gear	2	9630640101	9630640101	
38	Torque locking assembly	2	9630640601	9630640601	
45	Drain plug	2	1660.002	9630023544	
49	Blanking plug	2	5470.027	9630861224	
50	Gland guard	2	22	9630642101	9630642101
			23	9630642102	9630642102
51	Screw, gland guard	4	5950.093	9630865138	
53	Washer, gland guard	4	6400.127	9630864986	
			31499.5962.2	9630038040	
54	Foot	2	9630638101	9630638101	
58	Screw, Foot	4	5990.066	9630028936	
	Blanking plug	4	5470.022	9630089950	
	Blanking plug	4	5470.028	9630861225	

OptiLobe 32 / 33 Pump				
Drg No.	Description	Qty	Part No.	Article No.
1	Bearing housing	1	9630634201	9630634201
2	Dowel	2	5170.025	9630030093
3	Screw, rotorcase retention	4	31499.5201.1	9630037029
5	Canister	1	9630637201	9630637201
6	Screw, canister retention	4	5950.091	9630863216
	Washer, canister screw	4	31499.5962.2	9630038040
7	Lip seal, drive end		NBR	1 5310.037 9630030622
7A	Carrier, lip seal	1	9630633201	9630633201
9	Rotorcase	1	IDF	9630623401 9630623401
			Tri-Clamp	9630623402 9630623402
			SMS 32 (50 mm)	9630623403 9630623403
			DIN 11851	9630623404 9630623404
			RJT	9630623405 9630623405
			IDF	9630623501 9630623501
			Tri-Clamp	9630623502 9630623502
			SMS 33 (50 mm)	9630623503 9630623503
			DIN 11851	9630623504 9630623504
			RJT	9630623505 9630623505
10	Screw, rotorcase cover	4	5950.027	9630024554
11	'O' ring - cover	1	FPM 1551.262 9630865829 EPDM 1555.262 9630065133	
12	Cover, rotorcase	1	9630639701	9630639701
16	Lip seal, gland end	2	NBR 9630644503	9630644503
17	Rotor, Trilobe Stainless Steel	2	8 bar 130°C 32	9630630401 9630630401
			8 bar 130°C 33	9630630501 9630630501
18	'O' Ring, rotor sealing shaft end	2	FPM 1551.117 9630038157	
			EPDM 5380.805 9630861549	
20	'O' Ring, rotor sealing nut end	2	FPM 1551.218 9630019388	
			EPDM 5380.804 9630861548	
21	'O' Ring, canister	1	NBR 1550.261	9630880191
22	Nut, rotor retention	2	32 9630641401	9630641401
			33 9630641501	9630641501
23	Key	1	5270.031	9630031499
24	Shaft, drive	1	9630638701	9630638701
25	Shaft, auxiliary	1	9630639201	9630639201
26	Bearing, rear	2	5080.029 9630862428	
			0.050 9630642535	9630642535
			0.075 9630642537	9630642537
27	Shim, shaft abutment	2	0.100 9630642540	9630642540
30	Nut, bearing	2	5340.041	9630029136
31	Bearing, front	2	5080.030	9630862429
36	Timing gear	2	9630640201	9630640201
38	Torque locking assembly	2	9630640701	9630640701
45	Drain plug	2	1660.002	9630023544
49	Blanking plug	2	5470.027	9630861224
50	Gland guard	2	32 9630642201	9630642201
			33 9630642202	9630642202
51	Screw, gland guard	4	5950.093	9630865138
53	Washer, gland guard	4	6400.127 9630864986	
			31499.5962.2 9630038040	
54	Foot	2	9630638201	9630638201
58	Screw, Foot	4	5990.066	9630028936
	Blanking plug	4	5470.022	9630089950
	Blanking plug	4	5470.028	9630861225

OptiLobe 42 / 43 Pump					
Drg No.	Description	Qty	Part No.	Article No.	
1	Bearing housing	1	9630634301	9630634301	
2	Dowel	2	5170.025	9630030093	
3	Screw, rotorcase retention	4	5990.038	9630027137	
5	Canister	1	9630637301	9630637301	
6	Screw, canister retention	4	5950.091	9630863216	
	Washer, canister screw	4	31499.5962.2	9630038040	
7	Lip seal, drive end	1	9630644509	9630644509	
7A	Carrier, lip seal	1	9630633301	9630633301	
9	Rotorcase	1	IDF	9630623601	9630623601
			Tri-Clamp	9630623602	9630623602
			SMS 42 (65 mm)	9630623603	9630623603
			DIN 11851	9630623604	9630623604
			RJT	9630623605	9630623605
			IDF	9630623701	9630623701
			Tri-Clamp	9630623702	9630623702
			SMS 43 (80 mm)	9630623703	9630623703
			DIN 11851	9630623704	9630623704
			RJT	9630623705	9630623705
10	Screw, rotorcase cover	4	5950.027	9630024554	
11	'O' ring - cover	1	5380.643	9630063109	
			1555.267	9630019861	
12	Cover, rotorcase	1	9630639801	9630639801	
16	Lip seal, gland end	2	9630644504	9630644504	
17	Rotor, Trilobe Stainless Steel	8 bar 130°C	42	9630630601	9630630601
		8 bar 130°C	43	9630630701	9630630701
18	'O' Ring, rotor sealing shaft end	2	FPM	1551.123	9630037140
			EPDM	1555.123	9630037138
20	'O' Ring, rotor sealing nut end	2	FPM	5380.232	9630028357
			EPDM	5380.234	9630028321
21	'O' Ring, canister	1	5380.844	9630880214	
22	Nut, rotor retention	2	42	9630641601	9630641601
			43	9630641701	9630641701
23	Key	1	5270.031	9630031499	
24	Shaft, drive	1	9630638801	9630638801	
25	Shaft, auxiliary	1	9630639301	9630639301	
26	Bearing, rear	2	5080.032	9630862089	
			0.050	9630642545	9630642545
			0.075	9630642547	9630642547
27	Shim, shaft abutment	2	0.100	9630642550	9630642550
30	Nut, bearing	2	5340.056	9630056684	
31	Bearing, front	2	5080.031	9630862088	
36	Timing gear	2	9630640301	9630640301	
38	Torque locking assembly	2	9630640801	9630640801	
45	Drain plug	2	1660.002	9630023544	
49	Blanking plug	4	5470.029	9630861226	
50	Gland guard	2	42	9630642301	9630642301
			43	9630642302	9630642302
51	Screw, gland guard	4	5950.093	9630865138	
53	Washer, gland guard	4	6400.127	9630864986	
			31499.5962.2	9630038040	
54	Foot	2	9630638301	9630638301	
58	Screw, Foot	4	5990.034	9630024635	
	Blanking plug	4	5470.022	9630089950	
	Blanking plug	2	5470.027	9630861224	

OptiLobe - Exploded View Drawing



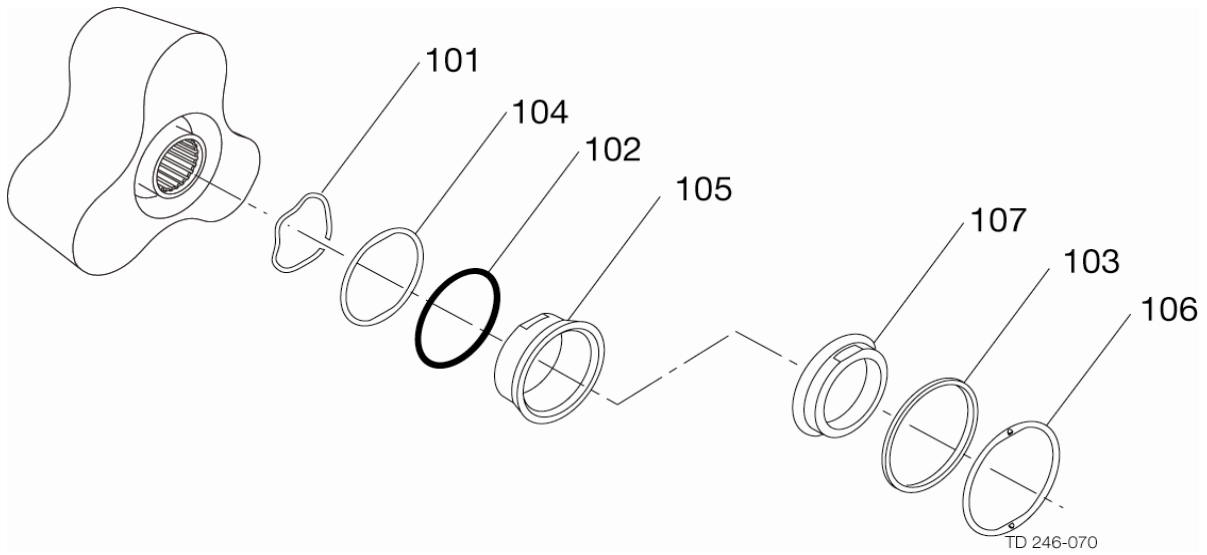
Cover / Spline Sealing Kits - All Pump Models		
Each kit for one pump comprises of: 1 off Rotorcase Cover 'O' Ring (11) 2 off Rotor 'O' Rings, shaft end (18) 2 off Rotor 'O' Rings, nut end (20)		
'O' Rings	22 / 23	
	Part No.	Article No.
EPDM	KL2CU	9630864748
FPM	KL2DU	9630864749
'O' Rings	32 / 33	
	Part No.	Article No.
EPDM	KL3CU	9630864750
FPM	KL3DU	9630864751
'O' Rings	42 / 43	
	Part No.	Article No.
EPDM	KL4CU	9630864752
FPM	KL4DU	9630864753

Service Kits - OptiLobe 22 / 23 Pump				
Each kit for one pump comprises of:				
1 off Cover/Spline Sealing Kit				
2 off Wave Springs (101)				
2 off Rotary Seal 'O' Rings (102)				
2 off 'L' Cup Seals (103)				
2 off Rotary Seal Drive Rings (104)				
2 off Rotary Seal Rings (105)				
2 off Stationary Seal Drive Rings (106)				
2 off Stationary Seal Rings (107)				
Rotary Seal / Stationary Seal Ring		'O' Rings	22 / 23	
			Part No.	Article No.
Carbon /		EPDM	KL2CU-Q06	9630864754
Stainless Steel		FPM	KL2DU-Q02	9630864755
Carbon /		EPDM	KL2CU-Q26	9630864758
Silicon Carbide		FPM	KL2DU-Q22	9630864759
Silicon Carbide /		EPDM	KL2CU-Q16	9630864756
Silicon Carbide		FPM	KL2DU-Q12	9630864757
Additional parts to convert pump fitted with EasyFit single seals to EasyFit single flushed seals				
Description	Drg Item No.	Qty	22 / 23	
			Part No.	Article No.
Conversion kit -	-	1	4010.378A	9630863511
Conversion kit -	-		4010.378B	TBA
Conversion kits comprising of:-				
Lip Seal (FPM)	111	2	9630644710	9630644710
Housing 'O' Ring	112	2	1551.033	9630075998
Housing, BSPT	108	2	9630644101	9630644101
Housing, NPT			TBA	TBA
Stud	109	4	6350.152	9630863464
Washer	-	4	6400.053	9630042149
Nut, Stud	110	4	5330.007	9630024061

Service Kits - OptiLobe 32 / 33 Pump				
Each kit for one pump comprises of: 1 off Cover/Spline Sealing Kit 2 off Wave Springs (101) 2 off Rotary Seal 'O' Rings (102) 2 off 'L' Cup Seals (103) 2 off Rotary Seal Drive Rings (104) 2 off Rotary Seal Rings (105) 2 off Stationary Seal Drive Rings (106) 2 off Stationary Seal Rings (107)				
Rotary Seal / Stationary Seal Ring		'O' Rings	32 / 33	
			Part No.	Article No.
Carbon / Stainless Steel		EPDM	KL3CU-Q06	9630864760
		FPM	KL3DU-Q02	9630864761
Carbon / Silicon Carbide		EPDM	KL3CU-Q26	9630864764
		FPM	KL3DU-Q22	9630864765
Silicon Carbide / Silicon Carbide		EPDM	KL3CU-Q16	9630864762
		FPM	KL3DU-Q12	9630864763
Additional parts to convert pump fitted with EasyFit single seals to EasyFit single flushed seals				
Description	Drg Item No.	Qty	32 / 33	
			Part No.	Article No.
Conversion kit -	-	1	4010.379A	9630863512
Conversion kit -	-		4010.379B	TBA
Conversion kits comprising of:-				
Lip Seal (FPM)	111	2	9630644810	9630644810
Housing 'O' Ring	112	2	1551.034	9630063230
Housing, BSPT	108	2	9630644201	9630644201
Housing, NPT			TBA	TBA
Stud	109	4	6350.152	9630863464
Washer	-	4	6400.053	9630042149
Nut, Stud	110	4	5330.007	9630024061

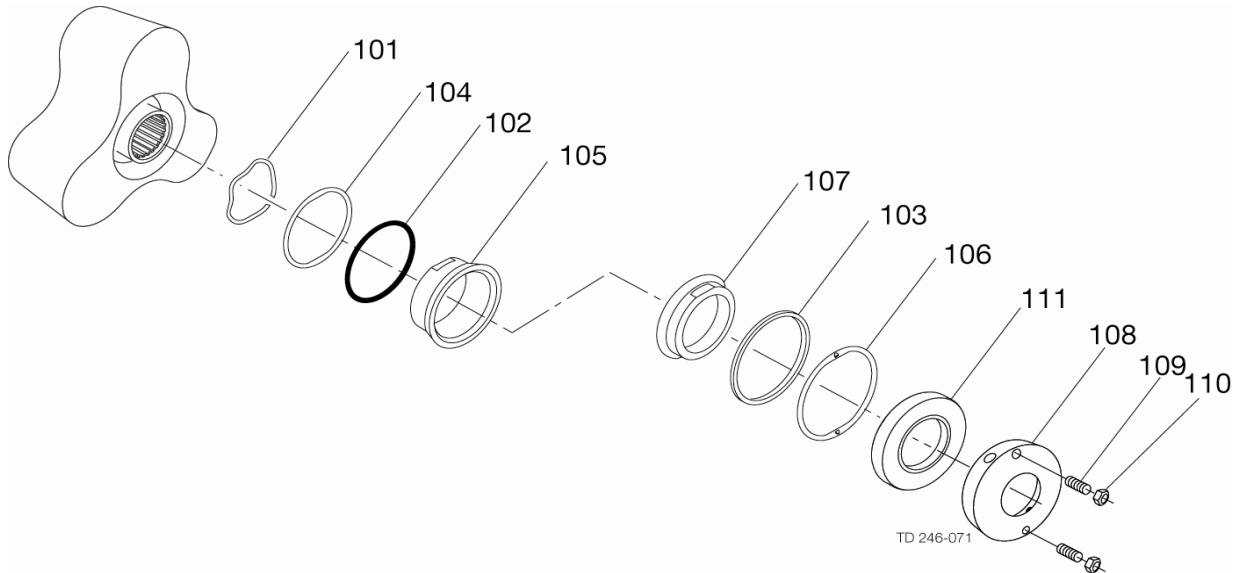
Service Kits - OptiLobe 42 / 43 Pump				
Each kit for one pump comprises of:				
1 off Cover/Spline Sealing Kit				
2 off Wave Springs (101)				
2 off Rotary Seal 'O' Rings (102)				
2 off 'L' Cup Seals (103)				
2 off Rotary Seal Drive Rings (104)				
2 off Rotary Seal Rings (105)				
2 off Stationary Seal Drive Rings (106)				
2 off Stationary Seal Rings (107)				
Rotary Seal / Stationary Seal Ring	'O' Rings	42 / 43		
		Part No.	Article No.	
Carbon / Stainless Steel	EPDM	KL4CU-Q06	9630864766	
	FPM	KL4DU-Q02	9630864767	
Carbon / Silicon Carbide	EPDM	KL4CU-Q26	9630864770	
	FPM	KL4DU-Q22	9630864771	
Silicon Carbide / Silicon Carbide	EPDM	KL4CU-Q16	9630864768	
	FPM	KL4DU-Q12	9630864769	
Additional parts to convert pump fitted with EasyFit single seals to EasyFit single flushed seals				
Description	Drg Item No.	Qty	42 / 43	
			Part No.	Article No.
Conversion kit -	-	1	4010.380A	9630863513
Conversion kit -	-		4010.380B	TBA
Conversion kits comprising of:-				
Lip Seal (FPM)	111	2	9630644910	9630644910
Housing 'O' Ring	112	2	1551.039	9630863514
Housing, BSPT	108	2	9630644202	9630644202
Housing, NPT			TBA	TBA
Stud	109	4	6350.152	9630863464
Washer	-	4	6400.053	9630042149
Nut, Stud	110	4	5330.007	9630024061

EasyFit Single Mechanical Seal - Exploded View Drawing



Drg Item No.	Description
101	Wave Spring
102	Rotary Seal 'O' Ring
103	'L' Cup Seal
104	Rotary Seal Drive Ring
105	Rotary Seal Ring
106	Stationary Seal Drive Ring
107	Stationary Seal Ring

EasyFit Single Flushed Mechanical Seal - Exploded View Drawing



Drg Item No.	Description
101	Wave Spring
102	Rotary Seal 'O' Ring
103	'L' Cup Seal
104	Rotary Seal Drive Ring
105	Rotary Seal Ring
106	Stationary Seal Drive Ring
107	Stationary Seal Ring
108	Housing
109	Stud
110	Nut
111	Lip Seal
112	Housing 'O' Ring

Revision History

Issue	Ref	Date	Description
001	-	Nov - 07	1st Issue
002	-	Dec - 07	Launch Issue
003	-	Jun - 08	Mechanical seal drawings and single flushed mechanical seal conversion kits added. Canister 'o' ring part/item numbers changed (was 1550.256 / 9630863410, 1550.262 / 9630863367 and 1550.268 / 9630059967).