



## Spare Parts

Strainers LKSF-BL, LKSF-CL and LKVF





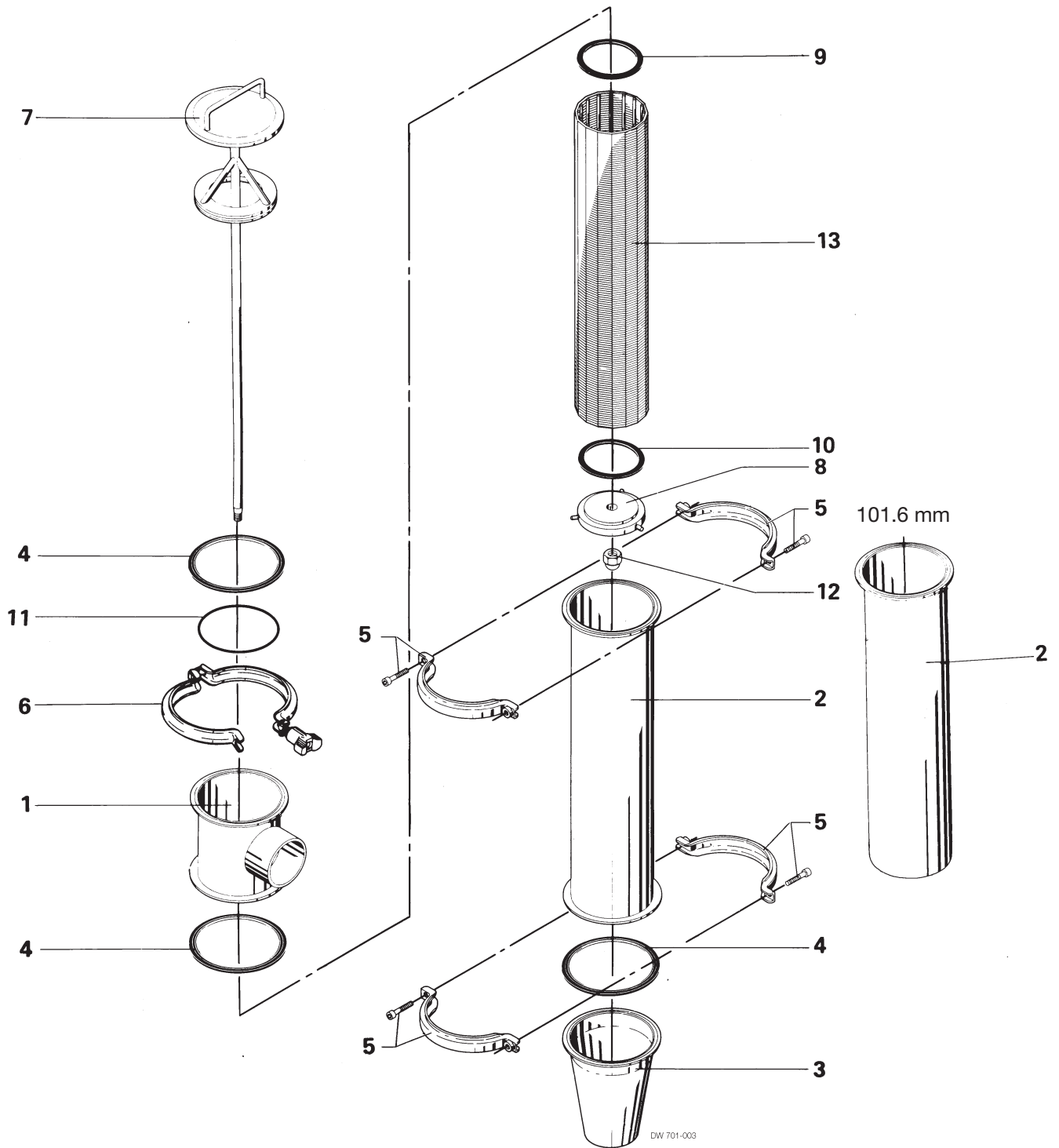
---

*The information herein is correct at the time of issue but may be subject to change without prior notice*

**1. Slot Strainer LKSF-BL ..... 4**

**2. Slot Strainer LKSF-CL ..... 6**

**3. Coarse Strainer LKVF ..... 8**



Slot Strainer LKSF-BL

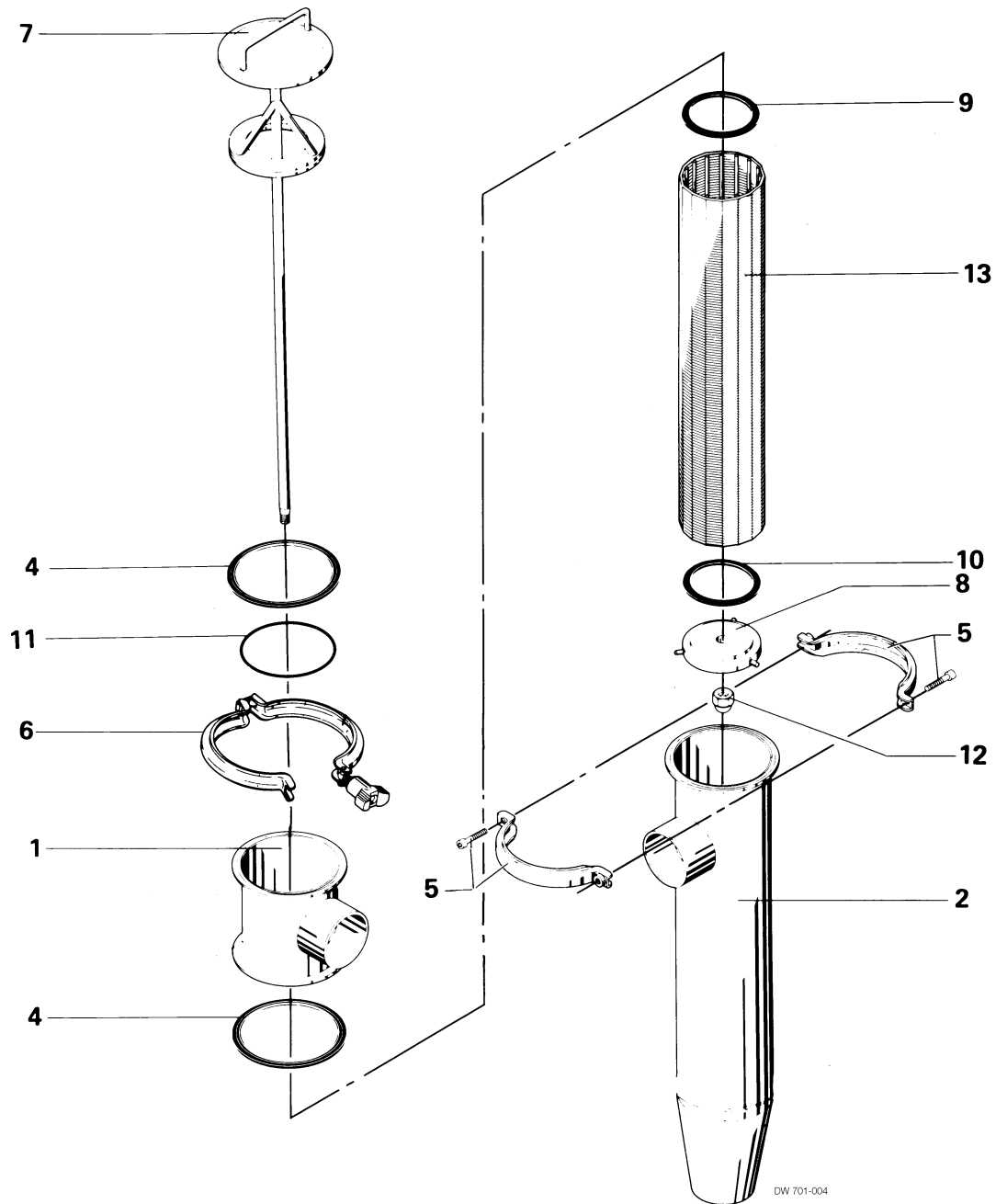
Pos	Qty	Denomination	25 mm	38 mm	51 mm	63.5 mm	76.1 mm	101.6 mm
1	1	Upper part .....	9611-71-309-4	9611-71-309-3	9611-71-309-2	9611-71-309-1	9611-71-309-0	9612-0370-01
2	1	Strainer casing .....	9611-71-303-0	9611-71-303-0	9611-71-303-0	9611-71-303-0	9611-71-303-0	9612-0368-01
3	1	Lower part .....	9611-71-315-0	9611-71-314-0	9611-71-313-0	9611-71-312-0	9611-71-311-0	
4	□	3 Seal ring, EPDM .....	9611-99-1363	9611-99-1363	9611-99-1363	9611-99-1363	9611-99-1363	
		2 Seal ring, EPDM .....						9611-99-1363
		3 Seal ring, NBR .....	9611-99-0770	9611-99-0770	9611-99-0770	9611-99-0770	9611-99-0770	
		2 Seal ring, NBR .....						9611-99-0770
		3 Seal ring, FPM .....	9611-99-1895	9611-99-1895	9611-99-1895	9611-99-1895	9611-99-1895	
		2 Seal ring, FPM .....						9611-99-1895
5	2	Clamp, ring and screws .....	9611-31-1055	9611-31-1055	9611-31-1055	9611-31-1055	9611-31-1055	
	1	Clamp, ring and screws .....						9611-31-1055
6	1	Clamp ring .....	9611-99-1512	9611-99-1512	9611-99-1512	9611-99-1512	9611-99-1512	
7	1	Bolt complete with cover .....	9611-71-330-0	9611-71-330-0	9611-71-330-0	9611-71-330-0	9611-71-330-0	9612-0372-01
8	1	Bottom .....	9611-71-328-0	9611-71-328-0	9611-71-328-0	9611-71-328-0	9611-71-328-0	9611-71-328-0
9	□	1 Gasket, EPDM .....	9611-71-329-0	9611-71-329-0	9611-71-329-0	9611-71-329-0	9611-71-329-0	9611-71-329-0
		1 Gasket, NBR .....	9611-71-329-2	9611-71-329-2	9611-71-329-2	9611-71-329-2	9611-71-329-2	9611-71-329-2
		1 Gasket, FPM .....	9611-71-329-4	9611-71-329-4	9611-71-329-4	9611-71-329-4	9611-71-329-4	9611-71-329-4
10	□	1 Gasket, EPDM .....	9611-71-329-1	9611-71-329-1	9611-71-329-1	9611-71-329-1	9611-71-329-1	9611-71-329-1
		1 Gasket, NBR .....	9611-71-329-3	9611-71-329-3	9611-71-329-3	9611-71-329-3	9611-71-329-3	9611-71-329-3
		1 Gasket, FPM .....	9611-71-329-5	9611-71-329-5	9611-71-329-5	9611-71-329-5	9611-71-329-5	9611-71-329-5
11	□	1 O-ring, EPDM .....	9611-99-1135	9611-99-1135	9611-99-1135	9611-99-1135	9611-99-1135	9611-99-1135
		1 O-ring, NBR .....	9611-99-0579	9611-99-0579	9611-99-0579	9611-99-0579	9611-99-0579	9611-99-0579
		1 O-ring, FPM .....	9611-99-3156	9611-99-3156	9611-99-3156	9611-99-3156	9611-99-3156	9611-99-3156
12	1	Nut .....	9611-99-1696	9611-99-1696	9611-99-1696	9611-99-1696	9611-99-1696	9611-99-1696

Pos	Qty	Denomination	25 mm	38 mm	51 mm	63.5 mm	76.1 mm	101.6 mm
13	1	Strainer element, 53 μ .....			9612-0376-04			
	1	Strainer element, 63 μ .....			9612-0376-05			
	1	Strainer element, 74 μ .....			9612-0376-06			
	1	Strainer element, 88 μ .....			9612-0376-07			
	1	Strainer element, 105 μ .....			9612-0376-08			
	1	Strainer element, 125 μ .....			9612-0376-09			
	1	Strainer element, 149 μ .....			9612-0376-10			
	1	Strainer element, 177 μ .....			9612-0376-11			
	1	Strainer element, 210 μ .....			9612-0376-12			
	1	Strainer element, 250 μ .....			9612-0376-13			
	1	Strainer element, 297 μ .....			9612-0376-14			
	1	Strainer element, 354 μ .....			9612-0376-15			
	1	Strainer element, 420 μ .....			9612-0376-16			
	1	Strainer element, 500 μ .....			9612-0376-17			
	1	Strainer element, 595 μ .....			9612-0376-18			
	1	Strainer element, 707 μ .....			9612-0376-19			
	1	Strainer element, 841 μ .....			9612-0376-20			
	1	Strainer element, 1000 μ .....			9612-0376-21			
	1	Strainer element, 1190 μ .....			9612-0376-22			
	1	Strainer element, 1410 μ .....			9612-0376-23			
	1	Strainer element, 1680 μ .....			9612-0376-24			
	1	Strainer element, 2000 μ .....			9612-0376-25			
	1	Strainer element, 2380 μ .....			9612-0376-26			
	1	Strainer element, 2830 μ .....			9612-0376-27			
	1	Strainer element, 3360 μ .....			9612-0376-28			
	1	Strainer element, 4000 μ .....			9612-0376-29			

		25 mm	38 mm	51 mm	63.5 mm	76.1 mm	101.6 mm
□	<b>Service kit EPDM</b> .....	9611-92-5014	9611-92-5014	9611-92-5014	9611-92-5014	9611-92-5014	9611-92-5015
□	<b>Service kit NBR</b> .....	9611-92-5016	9611-92-5016	9611-92-5016	9611-92-5016	9611-92-5016	9611-92-5018
□	<b>Service kit FPM</b> .....	9611-92-5017	9611-92-5017	9611-92-5017	9611-92-5017	9611-92-5017	9611-92-5019

Parts marked with □ are included in the Service kit.

Recommended spare parts: Service kit.



Slot Strainer LKSF-CL

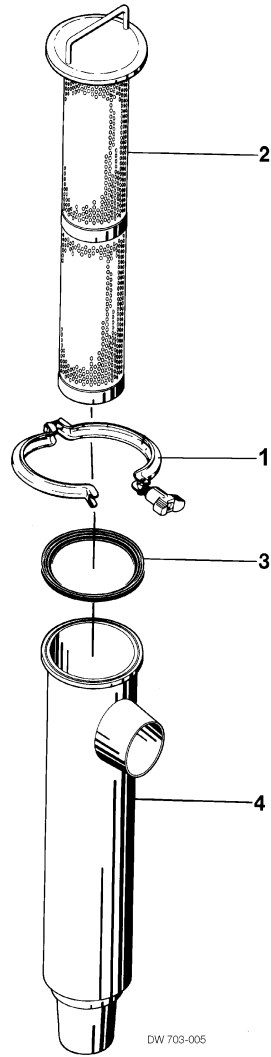
Pos	Qty	Denomination	25 mm	38 mm	51 mm	63.5 mm	76.1 mm	101.6 mm
1	1	Upper part .....	9611-71-309-4	9611-71-309-3	9611-71-309-2	9611-71-309-1	9611-71-309-0	9612-0370-01
2	1	Strainer casing .....	9611-71-304-4	9611-71-304-3	9611-71-304-2	9611-71-304-1	9611-71-304-0	9612-0369-01
4	□	2 Seal ring, EPDM .....	9611-99-1363	9611-99-1363	9611-99-1363	9611-99-1363	9611-99-1363	9611-99-1363
		2 Seal ring, NBR .....	9611-99-0770	9611-99-0770	9611-99-0770	9611-99-0770	9611-99-0770	9611-99-0770
		2 Seal ring, FPM .....	9611-99-1895	9611-99-1895	9611-99-1895	9611-99-1895	9611-99-1895	9611-99-1895
5	1	Clamp ring and screws .....	9611-31-105-5	9611-31-105-5	9611-31-105-5	9611-31-105-5	9611-31-105-5	9611-31-1055
6	1	Clamp ring .....	9611-99-1512	9611-99-1512	9611-99-1512	9611-99-1512	9611-99-1512	9611-99-1512
7	1	Bolt complete with cover .....	9611-71-330-0	9611-71-330-0	9611-71-330-0	9611-71-330-0	9611-71-330-0	9612-0372-01
8	1	Bottom .....	9611-71-328-0	9611-71-328-0	9611-71-328-0	9611-71-328-0	9611-71-328-0	9611-71-328-0
9	□	1 Gasket, EPDM .....	9611-71-329-0	9611-71-329-0	9611-71-329-0	9611-71-329-0	9611-71-329-0	9611-71-329-0
		1 Gasket, NBR .....	9611-71-329-2	9611-71-329-2	9611-71-329-2	9611-71-329-2	9611-71-329-2	9611-71-329-2
		1 Gasket, FPM .....	9611-71-329-4	9611-71-329-4	9611-71-329-4	9611-71-329-4	9611-71-329-4	9611-71-329-4
10	□	1 Gasket, EPDM .....	9611-71-329-1	9611-71-329-1	9611-71-329-1	9611-71-329-1	9611-71-329-1	9611-71-329-1
		1 Gasket, NBR .....	9611-71-329-3	9611-71-329-3	9611-71-329-3	9611-71-329-3	9611-71-329-3	9611-71-329-3
		1 Gasket, FPM .....	9611-71-329-5	9611-71-329-5	9611-71-329-5	9611-71-329-5	9611-71-329-5	9611-71-329-5
11	□	1 O-ring, EPDM .....	9611-99-1135	9611-99-1135	9611-99-1135	9611-99-1135	9611-99-1135	9611-99-1135
		1 O-ring, NBR .....	9611-99-0579	9611-99-0579	9611-99-0579	9611-99-0579	9611-99-0579	9611-99-0579
		1 O-ring, FPM .....	9611-99-3156	9611-99-3156	9611-99-3156	9611-99-3156	9611-99-3156	9611-99-3156
12	1	Nut .....	9611-99-1696	9611-99-1696	9611-99-1696	9611-99-1696	9611-99-1696	9611-99-1696

Pos	Qty	Denomination
13	1	Strainer element, 53 μ .....
	1	Strainer element, 63 μ .....
	1	Strainer element, 74 μ .....
	1	Strainer element, 88 μ .....
	1	Strainer element, 105 μ .....
	1	Strainer element, 125 μ .....
	1	Strainer element, 149 μ .....
	1	Strainer element, 177 μ .....
	1	Strainer element, 210 μ .....
	1	Strainer element, 250 μ .....
	1	Strainer element, 297 μ .....
	1	Strainer element, 354 μ .....
	1	Strainer element, 420 μ .....
	1	Strainer element, 500 μ .....
	1	Strainer element, 595 μ .....
	1	Strainer element, 707 μ .....
	1	Strainer element, 841 μ .....
	1	Strainer element, 1000 μ .....
	1	Strainer element, 1190 μ .....
	1	Strainer element, 1410 μ .....
	1	Strainer element, 1680 μ .....
	1	Strainer element, 2000 μ .....
	1	Strainer element, 2380 μ .....
	1	Strainer element, 2830 μ .....
	1	Strainer element, 3360 μ .....
	1	Strainer element, 4000 μ .....

		25 mm	38 mm	51 mm	63.5 mm	76.1 mm	101.6 mm
□	Service kit EPDM .....	9611-92-5015	9611-92-5015	9611-92-5015	9611-92-5015	9611-92-5015	9611-92-5015
□	Service kit NBR .....	9611-92-5018	9611-92-5018	9611-92-5018	9611-92-5018	9611-92-5018	9611-92-5018
□	Service kit FPM .....	9611-92-5019	9611-92-5019	9611-92-5019	9611-92-5019	9611-92-5019	9611-92-5019

Parts marked with □ are included in the Service kit.

Recommended spare parts: Service kit.





## Coarse Strainer LKVF

Pos	Qty	Denomination	25 mm	38 mm	51 mm	63.5 mm	76.1 mm
1	1	Clamp ring .....	211055	211055	211055	211057	211057
2	1	Strainer element, *ø1.0 .....	9612-1906-01	9612-1906-01	9612-1906-01	9612-1914-01	9612-1914-01
	1	Strainer element, *ø1.5 .....	9612-1906-02	9612-1906-02	9612-1906-02	9612-1914-02	9612-1914-02
	1	Strainer element, *ø2.0 .....	9612-1906-03	9612-1906-03	9612-1906-03	9612-1914-03	9612-1914-03
	1	Strainer element, *ø2.5 .....	9612-1906-04	9612-1906-04	9612-1906-04	9612-1914-04	9612-1914-04
	1	Strainer element, *ø3.0 .....	9612-1906-05	9612-1906-05	9612-1906-05	9612-1914-05	9612-1914-05
	1	Strainer element, *ø4.0 .....	9612-1906-07	9612-1906-07	9612-1906-07		
	1	Strainer element, *ø5.0 .....				9612-1914-09	9612-1914-09
3	□	Seal ring, EPDM .....	9611-99-1361	9611-99-1361	9611-99-1361	9611-99-1363	9611-99-1363
	1	Seal ring, NBR .....	9611-99-0768	9611-99-0768	9611-99-0768	9611-99-0770	9611-99-0770
	1	Seal ring, PTFE .....	9611-99-1406	9611-99-1406	9611-99-1406	9611-99-1408	9611-99-1408
4	1	Strainer casing (o) .....					

\* = Size of holes

Recommended spare parts marked with □ .

TD 900-407/2

**How to contact Alfa Laval**

Contact details for all countries are continually updated on our website.

Please visit [www.alfalaval.com](http://www.alfalaval.com) to access the information direct.