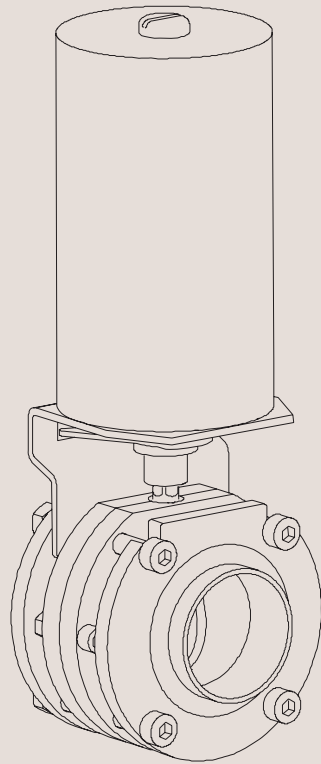


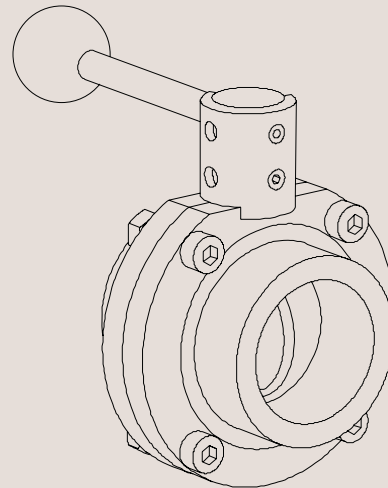


Spare Parts

LKB Automatic and Manual Butterfly Valve



TD 403-262_1



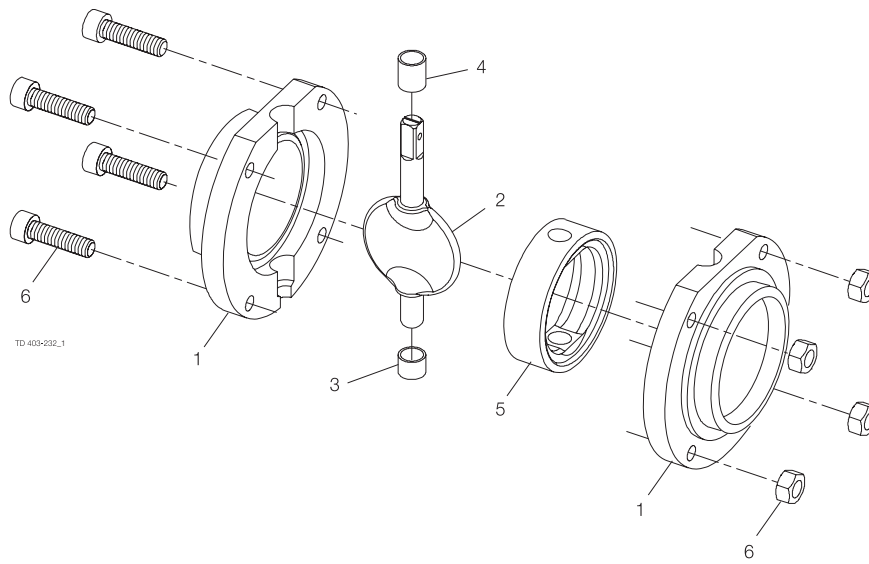
TD 403-263

ESE00779-EN1 2009-01

Original manual

The information herein is correct at the time of issue but may be subject to change without prior notice

1. LKB Butterfly Valve, ISO	4
2. LKB Butterfly Valve, ISO, not manufactured anymore (period 7600-8910)	6
3. LKB-2 Butterfly Valve, DIN	8
4. LKB-F Butterfly Valve, ISO	10
5. LKB-F Butterfly Valve, DIN	12
6. LKB Lockable Multiposition Handle for Valve	14
7. LKB Handle 1.1 for Butterfly Valve	16
8. Handle 1.1 for Indication Unit	18
9. LKLA Actuator Air/Spring (NC-NO) ø85	20
10. LKLA Actuator Air/Air ø85	22
11. LKLA Actuator Air/Air DN125-150 ø85	24
12. LKLA Actuator Air/Spring (NC-NO) ø133	26
13. LKLA Actuator Air/Air ø133	28
14. LKLA-T Actuator Air/Spring (NC-NO) ø85	30
15. LKLA-T Actuator Air/Air ø85	32
16. LKLA-T Actuator Air/Air DN125-150 ø85	34
17. LKLA-T Actuator Air/Spring (NC-NO) ø133	36
18. LKLA-T Actuator Air/Air ø133	38



LKB Butterfly Valve, ISO

Pos	Qty	Denomination	25 mm	38 mm	51 mm		
			Disc □ 8	Disc □ 8	Disc □ 8		
1	2	Valve body half, (AISI 304) (Period 8103 -)	9611-44-365-0	9611-44-322-0	9611-44-323-0		
	2	Valve body half, (AISI 316L) (Period 8103 -)	9611-44-365-1	9611-44-322-1	9611-44-323-1		
2	1	Disc, (AISI 316L)	9611-41-368-1	9611-41-169-1	9611-41-177-1		
	1	Disc, 12 (AISI 316L) (Period 8906 -)					
	1	Disc, 10 (AISI 316) (Period 8001 - 8906)*					
3	□	Bush	9611-41-181-0	9611-41-173-0	9611-41-181-0		
4	□	Bush	9611-41-376-0	9611-41-173-0	9611-41-181-0		
5	□	Seal ring, (EPDM)	9611-41-413-0	9611-41-409-0	9611-41-410-0		
	1	Seal ring, (Silicone Q)	9611-41-372-0	9611-41-174-0	9611-41-182-0		
	1	Seal ring, (Viton FPM)	9611-41-413-3	9611-41-409-3	9611-41-410-3		
	1	Seal ring, (HNBR)	9611-41-413-4	9611-41-409-4	9611-41-410-4		
	1	Seal ring, (PFA)		9611-92-3202 ¹⁾	9612-9006-01		
6	1	Set of screws, M6 + Nut M6	9611-41-734-0	9611-41-734-0			
	1	Set of screws, M8 + Nut M8			9611-41-735-0		
			63.5 mm	76 mm	101.6 mm	101.6 mm	
Pos	Qty	Denomination	Disc □ 8	Disc □ 10	Disc □ 10	Disc □ 12	
1	2	Valve body half, (AISI 304) (Period 8103 -)	9611-44-324-0	9611-44-307-0	9611-41-325-0	9611-41-325-0	
	2	Valve body half, (AISI 316L) (Period 8103 -)	9611-44-324-1	9611-44-307-1	9611-41-325-1	9611-41-325-1	
2	1	Disc, (AISI 316L)	9611-41-185-1	9611-41-193-1			
	1	Disc, 12 (AISI 316L) (Period 8906 -)					9612-0463-02
	1	Disc, 10 (AISI 316) (Period 8001 - 8906)*			9611-41-201-1		
3	□	Bush	9611-41-189-0	9611-41-197-0	9611-41-206-0	9611-41-206-0	
4	□	Bush	9611-41-189-0	9611-41-197-0	9611-41-205-0	9611-41-205-0	
5	□	Seal ring, (EPDM)	9611-41-411-0	9611-41-406-0	9611-41-412-0	9611-41-412-0	
	1	Seal ring, (Silicone Q)	9611-41-190-0	9611-41-198-0	9611-41-207-0	9611-41-207-0	
	1	Seal ring, (Viton FPM)	9611-41-411-3	9611-41-406-3	9611-41-412-3	9611-41-412-3	
	1	Seal ring, (HNBR)	9611-41-411-4	9611-41-406-4	9611-41-412-4	9611-41-412-4	
	1	Seal ring, (PFA)	9612-9007-01	9612-9008-01	9612-9009-01	9612-9009-01	
6	1	Set of screws, M8 + Nut M8	9611-41-735-0	9611-41-736-0			
	1	Set of screws, M10 + Nut M10			9611-41-737-0	9611-41-737-0	
			25 mm	38 mm	51 mm	63.5 mm	
			DN25	DN40	DN50	DN65	
			Disc □ 8	Disc □ 8	Disc □ 8	Disc □ 8	

Service Kits for Product wetted parts

□	Service kit EPDM.	9611-92-3028	9611-92-3029	9611-92-3030	9611-92-3031
□	Service kit Q.	9611-92-3034	9611-92-3035	9611-92-3036	9611-92-3037
□	Service kit FPM.	9611-92-3040	9611-92-3041	9611-92-3042	9611-92-3043
□	Service kit HNBR	9611-92-3160	9611-92-3161	9611-92-3162	9611-92-3163
□	Service kit PFA		9611-92-3183	9611-92-3184	9611-92-3185
		76mm	101.6mm	101.6mm	
		DN80	DN80	DN100	DN150
		Disc □ 10	Disc □ 10	Disc □ 10	Disc □ 12
					Disc □ 15

Service Kits for Product wetted parts

□	Service kit EPDM.	9611-92-3032	9611-92-3051	9611-92-3033	9611-92-3033	9611-92-3046
□	Service kit Q.	9611-92-3038		9611-92-3039	9611-92-3039	9611-92-3047
□	Service kit FPM.	9611-92-3044		9611-92-3045	9611-92-3045	9611-92-3048
□	Service kit HNBR	9611-92-3164		9611-92-3165	9611-92-3165	9611-92-3197
□	Service kit PFA	9611-92-3186		9611-92-3187	9611-92-3187	

NB:

* Disc connection □ 10 for 101.6 mm and DN100 is not available anymore, please rebuild the air-actuator or/and handle to: disc connection □ 12

¹⁾Seal-ring is delivered assembled with disc.

Reg. 2.14.1 9805

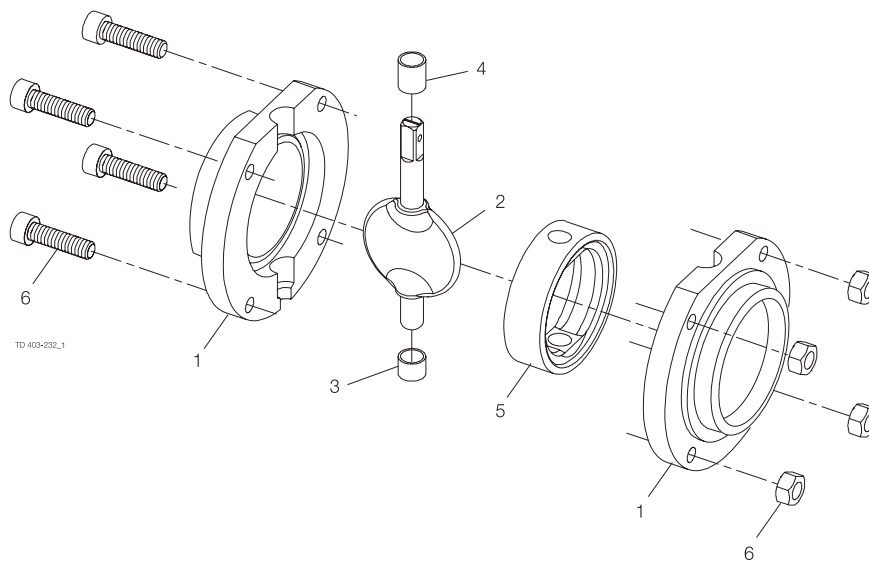
Intro. 8001

Parts marked with □ are included in the service kits.

Recommended spare parts: Service kits.

900069/2

Not manufactured anymore

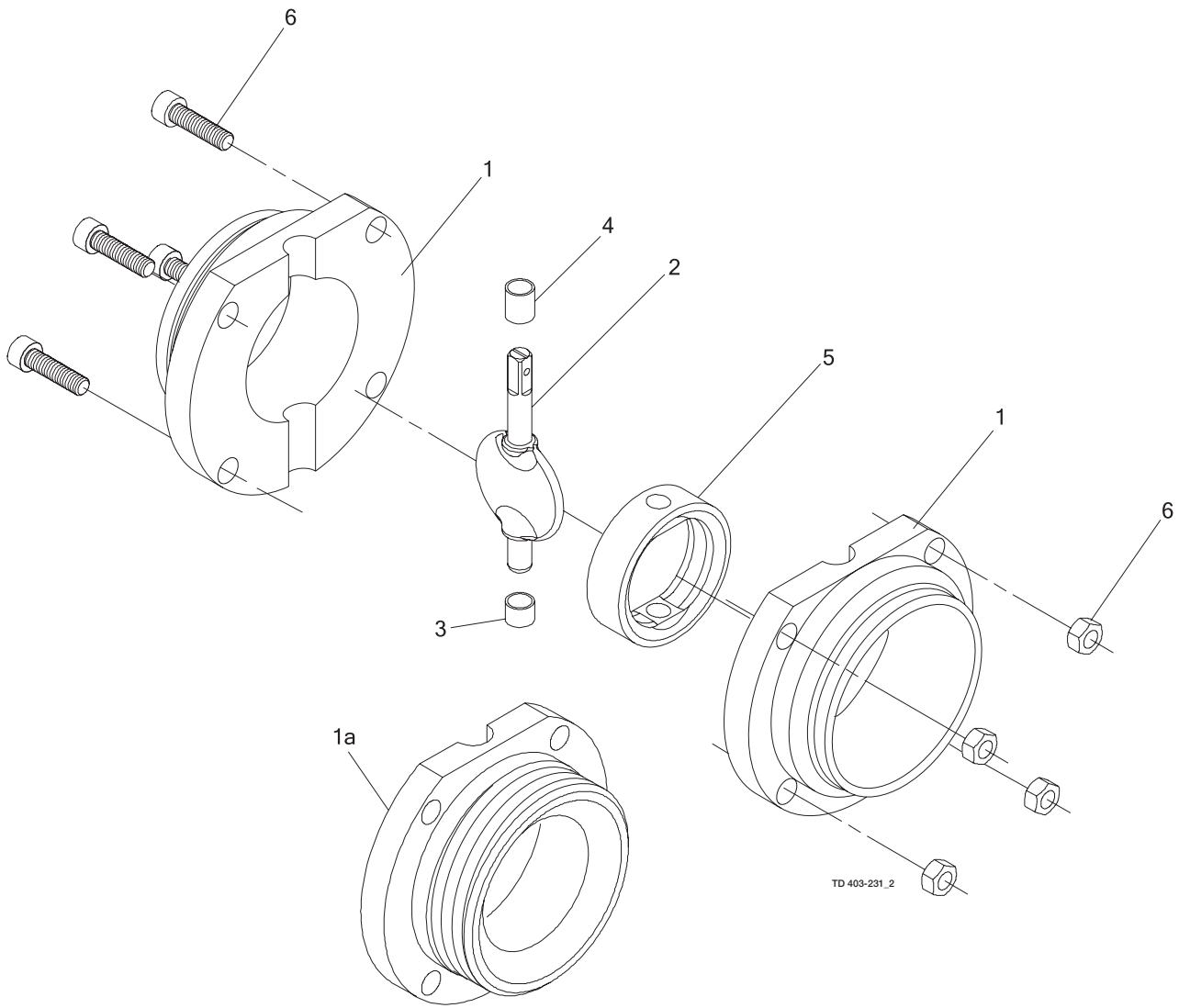


LKB Butterfly Valve, ISO, not manufactured anymore (period 7600-8910)

Pos	Qty	Denomination	DN 25	DN 40	DN 50	DN 65
			Disc □ 8	Disc □ 8	Disc □ 8	Disc □ 8
1	2	Valve body half, (AISI 304) (Period 8103 -)	9611-44-364-0	9611-44-304-0	9611-44-305-0	9611-44-306-0
	2	Valve body half, (AISI 316L) (Period 8103 -)	9611-44-364-1	9611-44-304-1	9611-44-305-1	9611-44-306-1
2	1	Disc, (AISI 316L)	9611-41-368-1	9611-41-169-1	9611-41-177-1	9611-41-185-1
	1	Disc, 12 (AISI 316L) (Period 8906 -)				
	1	Disc, 10 (AISI 316) (Period 8001 - 8906)*				
3 □	1	Bush	9611-41-181-0	9611-41-173-0	9611-41-181-0	9611-41-189-0
4 □	1	Bush	9611-41-376-0	9611-41-173-0	9611-41-181-0	9611-41-189-0
5 □	1	Seal ring, (EPDM)	9611-41-413-0	9611-41-409-0	9611-41-410-0	9611-41-411-0
	1	Seal ring, (Silicone Q)	9611-41-372-0	9611-41-174-0	9611-41-182-0	9611-41-190-0
	1	Seal ring, (FPM)	9611-41-413-3	9611-41-409-3	9611-41-410-3	9611-41-411-3
	1	Seal ring, (HNBR)	9611-41-413-4	9611-41-409-4	9611-41-410-4	9611-41-411-4
	1	Seal ring, (PFA)		9611-92-3202 ¹⁾	9612-9006-01	9612-9007-01
6	1	Set of screws, M6 + Nut M6	9611-41-734-0	9611-41-734-0		
	1	Set of screws, M8 + Nut M8			9611-41-735-0	9611-41-735-0

Pos	Qty	Denomination	DN 80	DN 100	DN 100	DN 150
			Disc □ 10	Disc □ 10	Disc □ 12	Disc □ 15
1	2	Valve body half (AISI 304) (Period 8103 -)	9611-44-309-0	9611-41-308-0	9611-41-308-0	9611-41-367-0
	2	Valve body half (AISI 316L) (Period 8103 -)	9611-44-309-1	9611-41-308-1	9611-41-308-1	9611-41-367-1
2	1	Disc (AISI 316L)	9611-41-212-1			9611-41-370-1
	1	Disc, 12 (AISI 316L) (Period 8906 -)			9612-0463-02	
	1	Disc, 10 (AISI 316) (Period 8001 - 8906)*		9611-41-201-1		
3 □	1	Bush	9611-41-197-0	9611-41-206-0	9611-41-206-0	9611-41-379-0
4 □	1	Bush	9611-41-197-0	9611-41-205-0	9611-41-205-0	9611-41-379-0
5 □	1	Seal ring (EPDM)	9611-41-416-0	9611-41-412-0	9611-41-412-0	9611-41-415-0
	1	Seal ring (Silicone Q)		9611-41-207-0	9611-41-207-0	9611-41-374-0
	1	Seal ring (FPM)		9611-41-412-3	9611-41-412-3	9611-41-415-3
	1	Seal ring (HNBR)		9611-41-412-4	9611-41-412-4	9611-41-415-4
	1	Seal ring (PFA)		9612-9009-01	9612-9009-01	
6	1	Set of screws M8 + Nut M8	9611-41-736-0			
	1	Set of screws M10 + Nut M10		9611-41-737-0	9611-41-737-0	9611-41-738-0

ISO-bore / DIN-connection DN 25 - DN 150
(Period 7600-8910)



LKB-2 Butterfly Valve, DIN

For valves with bushes (Period 9301-)

Pos	Qty	Denomination	DN 25	DN 32	DN 40	DN 50
			Disc □ 8	Disc □ 8	Disc □ 8	Disc □ 8
1	2	Valve body half, welding (AISI 304)	9612-3236-01	9612-3237-01	9612-3238-01	9612-3239-01
	2	Valve body half, welding (AISI 316 L)	9612-3236-02	9612-3237-02	9612-3238-02	9612-3239-02
1a	2	Valve body half, male part (AISI 304)	9612-3243-01	9612-3244-01	9612-3245-01	9612-3246-01
	2	Valve body half, male part (AISI 316 L)	9612-3243-02	9612-3244-02	9612-3245-02	9612-3246-02
2	1	Disc (AISI 316L)	9612-0736-04	9612-0737-04	9612-0738-04	9612-0739-04
3	□ 1	Bush	9611-41-181-0	9611-41-181-0	9611-41-181-0	9611-41-189-0
4	□ 1	Bush	9611-41-181-0	9611-41-181-0	9611-41-181-0	9611-41-189-0
5	□ 1	Seal ring, (EPDM)	9612-0700-01	9612-0701-01	9612-0702-01	9612-0703-01
	1	Seal ring, (Silicone Q)	9612-0709-01	9612-0710-01	9612-0711-01	9612-0712-01
	1	Seal ring, (FPM)	9612-0718-01	9612-0719-01	9612-0720-01	9612-0721-01
	1	Seal ring, (HNBR)	9612-0700-02	9612-0701-02	9612-0702-02	9612-0703-02
		Seal ring, (PFA)			9611-92-3203 ¹⁾	9612-9011-01
6	1	Set screw, M6 + Nut M6	9611-41-734-0	9611-41-734-0	9611-41-734-0	
	1	Set screw, M8 + Nut M8				9611-41-735-0

Pos	Qty	Denomination	DN 65	DN 80	DN 100	DN 125
			Disc □ 10	Disc □ 10	Disc □ 12	Disc □ 14
1	2	Valve body half, welding (AISI 304)	9612-3240-01	9612-3241-01	9612-3242-01	9612-0774-01
	2	Valve body half, welding (AISI 316 L)	9612-3240-02	9612-3241-02	9612-3242-02	9612-0774-02
1a	2	Valve body half, male part (AISI 304)	9612-3247-01	9612-3248-01	9612-3249-01	9612-0772-01
	2	Valve body half, male part (AISI 316 L)	9612-3247-02	9612-3248-02	9612-3249-02	9612-0772-02
2	1	Disc (AISI 316L)	9612-0740-04	9612-0741-04	9612-0742-04	9612-0769-04
3	□ 1	Bush	9611-41-189-0	9611-41-189-0	9611-41-197-0	9612-0785-01
4	□ 1	Bush	9611-41-189-0	9611-41-189-0	9611-41-197-0	9612-0785-01
5	□ 1	Seal ring, (EPDM)	9612-0704-01	9612-0705-01	9612-0706-01	9612-0771-01
	1	Seal ring, (Silicone Q)	9612-0713-01	9612-0714-01	9612-0715-01	9612-0783-01
	1	Seal ring, (FPM)	9612-0722-01	9612-0723-01	9612-0724-01	9612-0784-01
	1	Seal ring, (HNBR)	9612-0704-02	9612-0705-02	9612-0706-02	9612-0771-02
	0	Seal ring, (PFA)	9612-9012-01	9612-9013-01	9612-9014-01	
6	1	Set screw, M8 + Nut M8	9611-41-736-0	9611-41-736-0		
	1	Set screw, M10 + Nut M10			9611-41-737-0	
	1	Set screw, M10 + Nut M10 (6pcs)				9611-41-777-0

DN25	DN32	DN40	DN50
Disc □ 8	Disc □ 8	Disc □ 8	Disc □ 8

Service Kits for Product wetted parts

□	Service kit, EPDM.	9611-92-3075	9611-92-3076	9611-92-3077	9611-92-3078
□	Service kit, Q	9611-92-3083	9611-92-3084	9611-92-3085	9611-92-3086
□	Service kit, FPM.	9611-92-3091	9611-92-3092	9611-92-3093	9611-92-3094
□	Service kit, HNBR	9611-92-3210	9611-92-3211	9611-92-3212	9611-92-3213
□	Service kit, PFA.			9611-92-3191	9611-92-3192

DN65	DN80	DN100	DN125
Disc □ 10	Disc □ 10	Disc □ 12	Disc □ 14

Service Kits for Product wetted parts

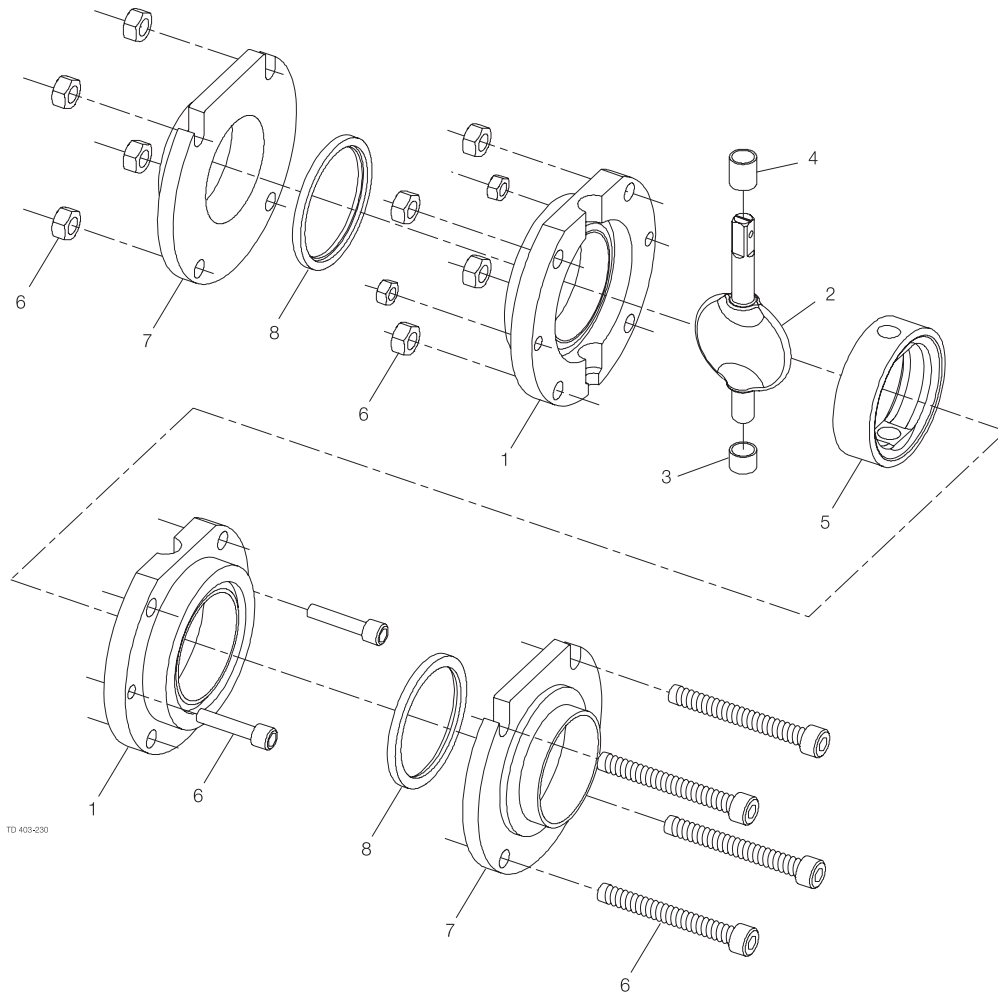
□	Service kit, EPDM	9611-92-3079	9611-92-3080	9611-92-3081	9611-92-3082
□	Service kit, Q	9611-92-3087	9611-92-3088	9611-92-3089	9611-92-3090
□	Service kit, FPM.	9611-92-3095	9611-92-3096	9611-92-3097	9611-92-3098
□	Service kit, HNBR	9611-92-3214	9611-92-3215	9611-92-3216	9611-92-3217
□	Service kit, PFA	9611-92-3193	9611-92-3194	9611-92-3195	

NB:

¹⁾Seal-ring is delivered assembled with disc.

Parts marked with □ are included in the service kits.

Recommended spare parts: Service kits.



TD 403-230

LKB-F Butterfly Valve, ISO

LKB-F ISO

Pos	Qty	Denomination	25 mm	38 mm	51 mm	63.5 mm	76 mm	101.6 mm
			Disc □ 8	Disc □ 8	Disc □ 8	Disc □ 8	Disc □ 10	Disc □ 12
1	2	Valve body half, welding, (AISI 316 L)	9612-4024-10	9612-4024-11	9612-4024-12	9612-4024-13	9612-4024-14	9612-4024-15
	2	Valve body half, welding, (AISI 304)	9612-4024-10	9612-4024-11	9612-4024-12	9612-4024-13	9612-4024-14	9612-4024-15
2	1	Disc (AISI 316L)	9611-41-368-1	9611-41-169-1	9611-41-177-1	9611-41-185-1	9611-41-193-1	9612-0463-02
3	□ 1	Bush	9611-41-181-0	9611-41-173-0	9611-41-181-0	9611-41-189-0	9611-41-197-0	9611-41-206-0
4	□ 1	Bush	9611-41-376-0	9611-41-173-0	9611-41-181-0	9611-41-189-0	9611-41-197-0	9611-41-205-0
5	□ 1	Seal ring (EPDM)	9611-41-413-0	9611-41-409-0	9611-41-410-0	9611-41-411-0	9611-41-406-0	9611-41-412-0
	1	Seal ring (Silicone Q)	9611-41-372-0	9611-41-174-0	9611-41-182-0	9611-41-190-0	9611-41-198-0	9611-41-207-0
	1	Seal ring (FPM)	9611-41-413-3	9611-41-409-3	9611-41-410-3	9611-41-411-3	9611-41-406-3	9611-41-412-3
	1	Seal ring (HNBR)	9611-41-413-4	9611-41-409-4	9611-41-410-4	9611-41-411-4	9611-41-406-4	9611-41-412-4
	1	Seal ring (PFA on EPDM)		9611-92-32021)	9612-9006-01	9612-9007-01	9612-9008-01	9612-9009-01
6	1	Set of screws and nuts	9612-4001-01	9612-4001-01				
	1	Set of screws and nuts			9612-4001-02	9612-4001-02		
	1	Set of screws and nuts					9612-4001-03	
	1	Set of screws and nuts						9612-4001-04
7	2	Flange (AISI 316L)	9612-4025-10	9612-4025-11	9612-4025-12	9612-4025-13	9612-4025-14	9612-4025-15
	2	Flange (AISI 304)	9612-4025-10	9612-4025-11	9612-4025-12	9612-4025-13	9612-4025-14	9612-4025-15
8	□ 2	Seal ring (EPDM)	9612-4026-31	9612-4026-32	9612-4026-33	9612-4026-34	9612-4026-35	9612-4026-36
	2	Seal ring (Silicone Q)	9612-4026-41	9612-4026-42	9612-4026-43	9612-4026-44	9612-4026-45	9612-4026-46
	2	Seal ring (FPM)	9612-4026-51	9612-4026-52	9612-4026-53	9612-4026-54	9612-4026-55	9612-4026-56
	2	Seal ring (HNBR)	9612-4026-61	9612-4026-62	9612-4026-63	9612-4026-64	9612-4026-65	9612-4026-66
			25 mm	38 mm	51 mm	63.5 mm	76 mm	101.6 mm
			Disc 8	Disc 8	Disc 8	Disc 8	Disc 10	Disc 12

Service Kits for Product wetted parts

□	Service kit, EPDM	9611-92-3058	9611-92-3059	9611-92-3060	9611-92-3061	9611-92-3062	9611-92-3063
□	Service kit, Silicone (Q)	9611-92-3064	9611-92-3065	9611-92-3066	9611-92-3067	9611-92-3068	9611-92-3069
□	Service kit, FPM	9611-92-3070	9611-92-3071	9611-92-3072	9611-92-3073	9611-92-3074	9611-92-3099
□	Service kit, HNBR	9611-92-3310	9611-92-3311	9611-92-3312	9611-92-3313	9611-92-3314	9611-92-3315

NB:

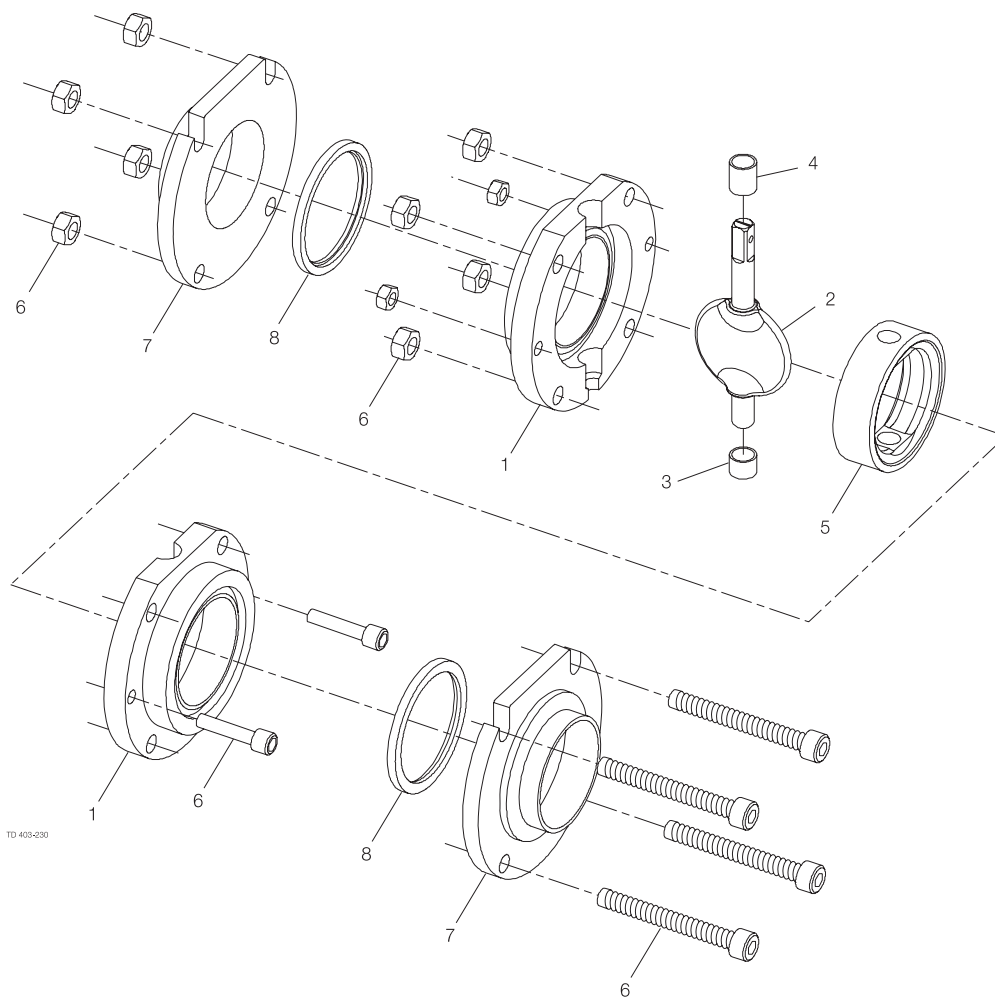
* Disc connection □ 10 for 101.6 mm and DN 100 is not available anymore, please rebuild the air-actuator or/and handle to: disc connection □ 12

1) Seal-ring is delivered assembled with disc.

Parts marked with □ are included in the service kits.

Recommended spare parts: Service kits.

900529/1



TD 403-230

LKB-F Butterfly Valve, DIN

LKB-F DIN

Pos	Qty	Denomination	DN 25	DN 32	DN 40	DN 50
			Disc □ 8	Disc □ 8	Disc □ 8	Disc □ 8
1	2	Valve body half, welding (AISI 316 L)	9612-4024-01	9612-4024-02	9612-4024-03	9612-4024-04
	2	Valve body half, welding (AISI 304)	9612-4024-01	9612-4024-02	9612-4024-03	9612-4024-04
2	1	Disc (AISI 316L)	9612-0736-04	9612-0737-04	9612-0738-04	9612-0739-04
3	□ 1	Bush	9611-41-181-0	9611-41-181-0	9611-41-181-0	9611-41-189-0
4	□ 1	Bush	9611-41-181-0	9611-41-181-0	9611-41-181-0	9611-41-189-0
5	□ 1	Seal ring (EPDM)	9612-0700-01	9612-0701-01	9612-0702-01	9612-0703-01
	1	Seal ring (Silicone Q)	9612-0709-01	9612-0710-01	9612-0711-01	9612-0712-01
	1	Seal ring (FPM)	9612-0718-01	9612-0719-01	9612-0720-01	9612-0721-01
	1	Seal ring, (HNBR)	9612-0700-02	9612-0701-02	9612-0702-02	9612-0703-02
	1	Seal ring (PFA on EPDM)			9612-92-32031)	9612-9011-01
	1	Set of screws and nuts	9612-4001-01	9612-4001-01	9612-4001-01	
6	1	Set of screws and nuts				9612-4001-02
	1	Set of screws and nuts				
7	2	Flange (AISI 316L)	9612-4025-01	9612-4025-02	9612-4025-03	9612-4025-04
	2	Flange (AISI 304)	9612-4025-01	9612-4025-02	9612-4025-03	9612-4025-04
8	□ 2	Seal ring (EPDM)	9612-4026-01	9612-4026-02	9612-4026-03	9612-4026-04
	2	Seal ring (Silicone, Q)	9612-4026-11	9612-4026-12	9612-4026-13	9612-4026-14
	2	Seal ring (FPM)	9612-4026-21	9612-4026-22	9612-4026-23	9612-4026-24
	2	Seal ring (FPM)				

Pos	Qty	Denomination	DN 65	DN 80	DN 100	DN 125	DN150
			Disc □ 10	Disc □ 10	Disc □ 12	Disc □ 14	Disc □ 15
1	2	Valve body half, welding (AISI 316 L)	9612-4024-05	9612-4024-06	9612-4024-07	9612-4024-08	9612-4024-09
	2	Valve body half, welding (AISI 304)	9612-4024-05	9612-4024-06	9612-4024-07	9612-4024-08	9612-4024-09
2	1	Disc (AISI 316L)	9612-0740-04	9612-0741-04	9612-0742-04	9612-0769-04	9611-41-370-1
3	□ 1	Bush	9611-41-189-0	9611-41-189-0	9611-41-197-0	9612-0785-01	9611-41-379-0
4	□ 1	Bush	9611-41-189-0	9611-41-189-0	9611-41-197-0	9612-0785-01	9611-41-379-0
5	□ 1	Seal ring (EPDM)	9612-0704-01	9612-0705-01	9612-0706-01	9612-0771-01	9611-41-415-0
	1	Seal ring (Silicone Q)	9612-0713-01	9612-0714-01	9612-0715-01	9612-0783-01	9611-41-374-0
	1	Seal ring (FPM)	9612-0722-01	9612-0723-01	9612-0724-01	9612-0784-01	9611-41-415-3
	1	Seal ring, (HNBR)	9612-0704-02	9612-0705-02	9612-0706-02	9612-0771-02	9611-41-415-4
	1	Seal ring (PFA on EPDM)	9612-9012-01	9612-9013-01	9612-9014-01		
	1	Set of screws and nuts	9612-4001-03	9612-4001-03			
6	1	Set of screws and nuts			9612-4001-04		
	1	Set of screws and nuts				9612-4001-05	
	1	Set of screws and nuts					9612-4001-06
7	2	Flange (AISI 316L)	9612-4025-05	9612-4025-06	9612-4025-07	9612-4025-08	9612-4025-09
	2	Flange (AISI 304)	9612-4025-05	9612-4025-06	9612-4025-07	9612-4025-08	9612-4025-09
8	□ 2	Seal ring (EPDM)	9612-4026-05	9612-4026-06	9612-4026-07	9612-4026-08	9612-4026-09
	2	Seal ring (Silicone, Q)	9612-4026-15	9612-4026-16	9612-4026-17	9612-4026-18	9612-4026-19
	2	Seal ring (FPM)	9612-4026-25	9612-4026-26	9612-4026-27	9612-4026-28	9612-4026-29
	2	Seal ring (FPM)					

DN 25	DN 32	DN 40	DN 50
Disc □ 8	Disc □ 8	Disc □ 8	Disc □ 8

Service Kits for Product wetted parts

□	Service kit, EPDM	9611-92-3100	9611-92-3101	9611-92-3102	9611-92-3103
□	Service kit, Silicone (Q)	9611-92-3109	9611-92-3110	9611-92-3111	9611-92-3112
□	Service kit, FPM	9611-92-3118	9611-92-3119	9611-92-3120	9611-92-3121

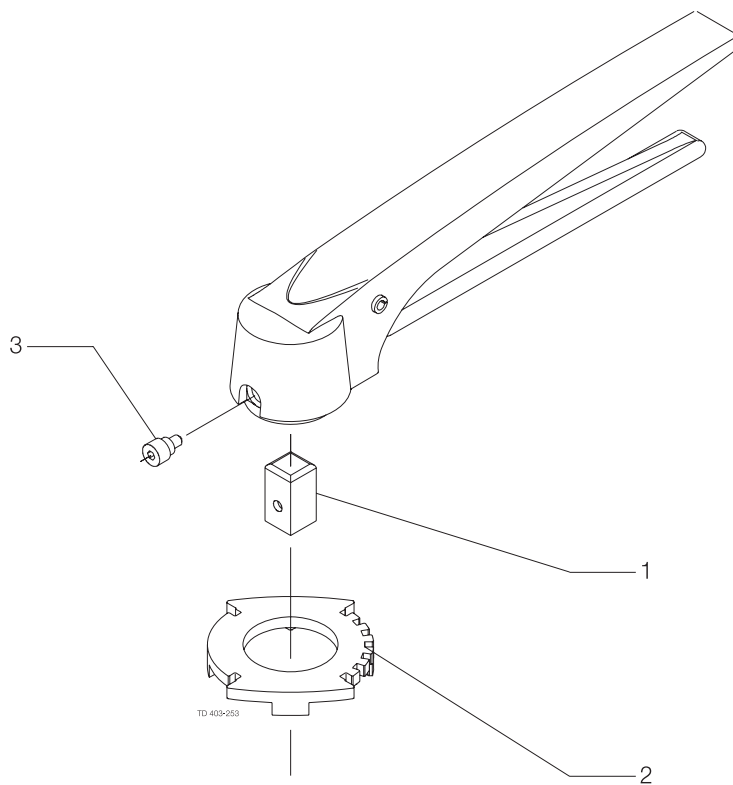
DN 65	DN 80	DN 100	DN 125	DN 150
Disc □ 10	Disc □ 10	Disc □ 12	Disc □ 14	Disc □ 15

□	Service kit, EPDM	9611-92-3104	9611-92-3105	9611-92-3106	9611-92-3107	9611-92-3108
□	Service kit, Silicone (Q)	9611-92-3113	9611-92-3114	9611-92-3115	9611-92-3116	9611-92-3117
□	Service kit, FPM	9611-92-3122	9611-92-3123	9611-92-3124	9611-92-3125	9611-92-3126

1) Seal-ring is delivered assembled with disc.

Parts marked with □ are included in the service kits.

Recommended spare parts: Service kits.

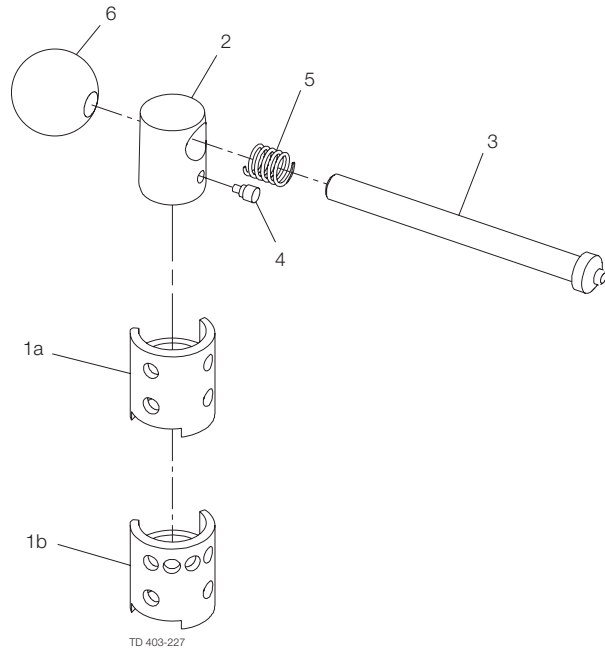


LKB Lockable Multiposition Handle for Valve

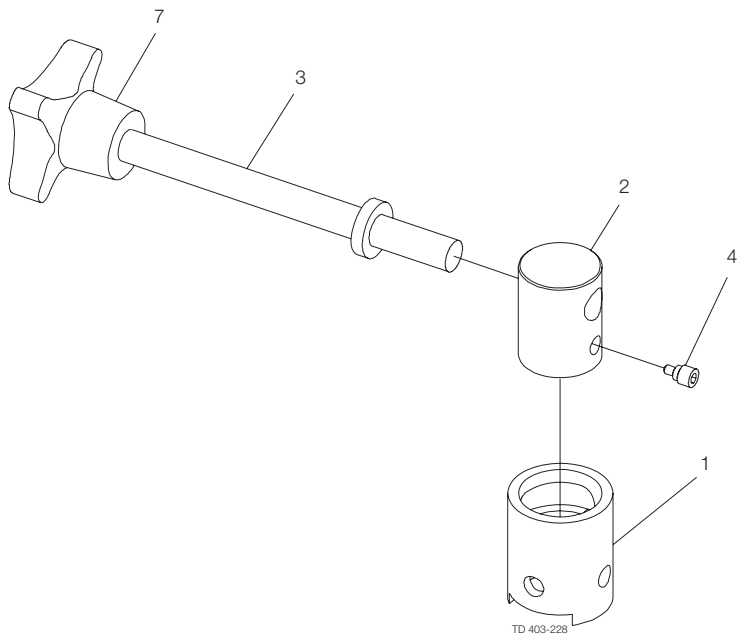
Pos	Qty	Denomination	Disc □ 8	Disc □ 10	Disc □ 12
1	1	Insert	9612-5889-01	9612-5889-02	
2	1	Positioning cap, (76-101.6 mm/DN65-100)		9612-5888-01	9612-5888-01
		Positioning cap, (25-63.5 mm/DN25-50)	9612-5887-01		
3	1	Screw	9612-0453-02	9612-0453-01	9612-0453-01

900530

Handle 1.1 for Butterfly valve LKB



Handle 1.1 with infinite positions for Butterfly valve LKB



LKB Handle 1.1 for Butterfly Valve

Handle 1.1 for Butterfly valve LKB (standard)

Pos	Qty	Denomination	25 - 63.5 mm	76 mm	101.6 mm		
			DN 25 - 50	DN 65 - 80	DN 100	DN 125	DN 150
			Disc □ 8	Disc □ 10	Disc □ 12	Disc □ 14	Disc □ 15
1a	1	Location cap , with 2 pos.	9611-41-138-0	9611-41-143-0	9612-0464-01		
1b	1	Location cap , with 4 pos.	9611-41-739-0	9611-41-740-0	9612-0465-01	9612-0777-01	9612-0792-01
2	1	Transfer block	9612-0454-01	9612-0455-01	9612-0462-01	9612-0778-01	9612-0793-01
3	1	Handle	9611-41-140-0	9611-41-140-1	9612-0461-01	9612-0779-01	9612-3685-01
4	1	Screw with pin	9612-0452-01	9612-0453-01	9612-0453-01	9612-0453-01	9612-0453-01
5	1	Spring	9611-99-1998	9611-99-1998	9611-99-1982	9612-0781-01	9612-3651-01
6	1	Ball	9611-99-1970	9611-99-1970	9611-99-1981	9611-99-2512	9611-99-2713

Handle 1.1 for Butterfly valve LKB (cap turned 90°)

Pos	Qty	Denomination	25 - 63.5 mm	76 mm	101.6 mm	
			DN 25 - 50	DN 65 - 80	DN 100	
			Disc □ 8	Disc □ 10	Disc □ 12	
1a	1	Location cap turned 90° 2pos.		9612-0786-02	9612-0787-02	9612-0788-02
1b	1	Location cap turned 90° 4pos.		9612-0786-01	9612-0787-01	9612-0788-01
2	1	Transfer block		9612-0454-01	9612-0455-01	9612-0462-01
3	1	Handle		9611-41-140-0	9611-41-140-1	9612-0461-01
4	1	Screw with pin		9612-0452-01	9612-0453-01	9612-0453-01
5	1	Spring		9611-99-1998	9611-99-1998	9611-99-1982
6	1	Ball		9611-99-1970	9611-99-1970	9611-99-1981

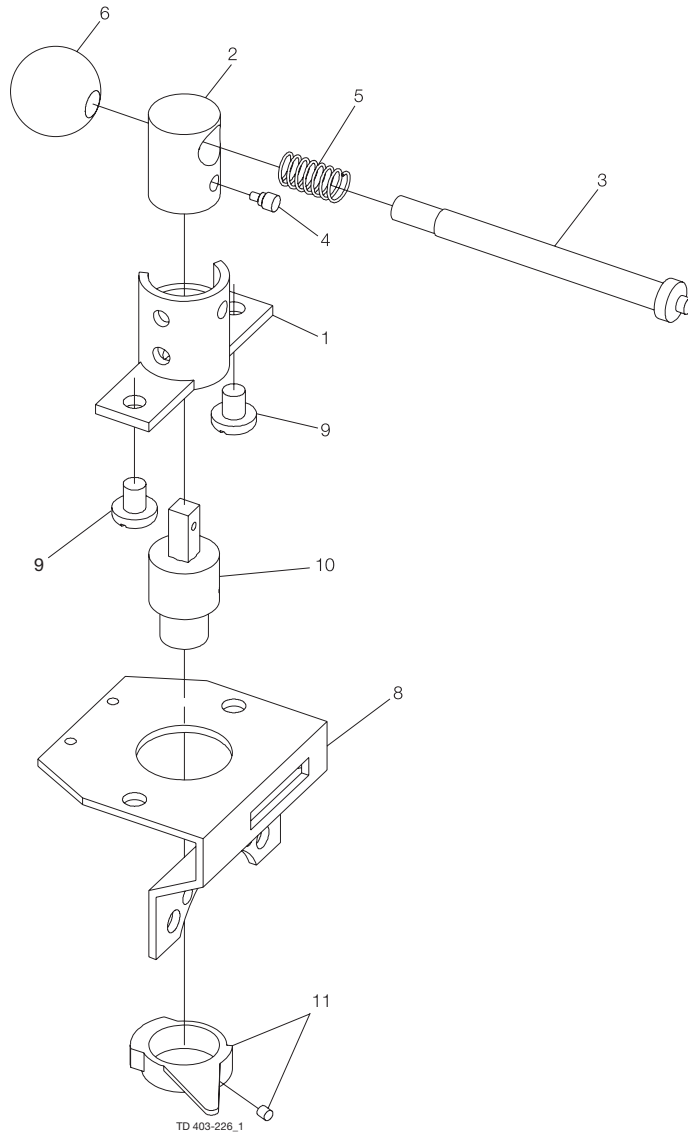
Handle 1.1 with infinite positions for Butterfly valve LKB

Pos	Qty	Denomination	25 - 63.5 mm	76 mm	101.6 mm	
			DN 25 - 50	DN 65 - 80	DN 100	
			Disc □ 8	Disc □ 10	Disc □ 12	
		Complete valve		9612-0474-01	9612-0474-02	9612-0474-03
1	1	Location cap		9612-0471-01	9612-0471-02	9612-0471-03
2	1	Transfer block		9612-0470-01	9612-0470-02	9612-0470-03
3	1	Handle		9612-0472-01	9612-0472-02	9612-0472-02
4	1	Screw with pin		9612-0452-01	9612-0453-01	9612-0453-01
7	1	Crosshead		9611-99-1995	9611-99-1996	9611-99-1996

NB:

- 1) Handle 1.1 with □ 10 connection can also be used for old version 101,6 mm DN 100 LKB valve.
- 1) Handle 1.1 with □ 8 connection can also be used for old version DN 65 LKB valve.

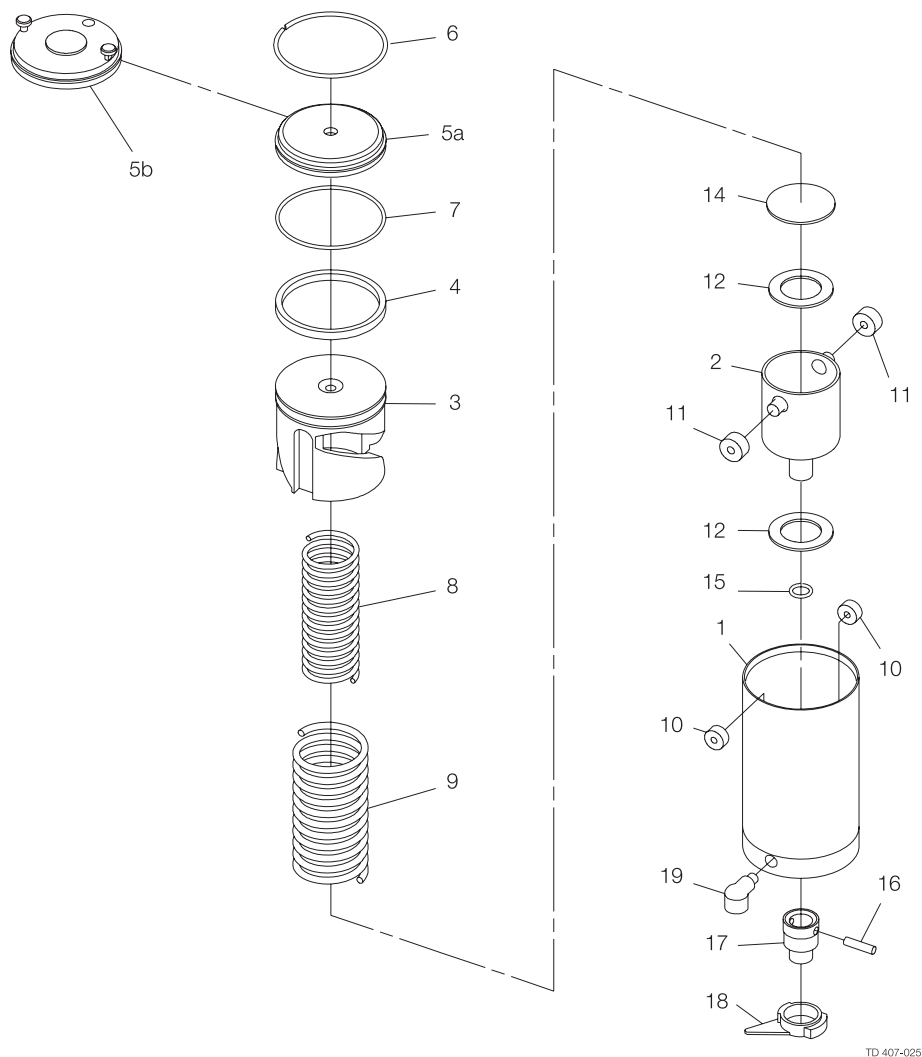
900265



Handle 1.1 for Indication Unit

Pos	Qty	Denomination	25 - 63.5 mm	76 mm	101.6 mm	DN 65
			DN 25-50	DN 80	DN 100	(LKB-DIN)
			Disc □ 8	Disc □ 10	Disc □ 12	Disc □ 10
1	1	Location cap with 2 pos.	9611-41-766-1	9611-41-767-1	9612-0469-01	9611-41-767-1
2	1	Transfer block	9612-0454-01	9612-0455-01	9612-0462-01	9612-0455-01
3	1	Handle	9611-41-140-0	9611-41-140-1	9612-0461-01	9611-41-140-1
4	1	Screw with pin	9612-0452-01	9612-0453-01	9612-0453-01	9612-0453-01
5	1	Spring	9611-99-1998	9611-99-1998	9611-99-1982	9611-99-1998
6	1	Ball	9611-99-1970	9611-99-1970	9611-99-1981	9611-99-1970
8	1	Bracket	9611-41-647-0	9611-41-648-0	9611-41-648-0	9612-0815-02
9	2	Screw	9611-99-1686	9611-99-1686	9611-99-1686	9611-99-1686
10	1	Coupling	9611-41-771-1	9611-41-770-1	9612-0468-01	9611-41-770-1
11	1	Activating ring with screw	9611-41-669-0	9611-41-669-0	9611-41-669-0	9611-41-669-0

900167/1



LKLA Actuator Air/Spring (NC-NO) ø85

Pos	Qty	Denomination	NC	NC	NC	NO	NO	NO
			25-63.5 mm DN 25-50 Disc □ 8	76 mm DN 65-80 Disc □ 10	101.6 mm DN 100 Disc □ 12	25-63.5 mm DN 25-50 Disc □ 8	76 mm DN 65-80 Disc □ 10	101.6 mm DN 100 Disc □ 12
1	1	Air cylinder	9611-41-758-0	9611-41-758-0	9611-41-758-0	9611-41-758-0	9611-41-758-0	9611-41-758-0
2	1	Rotating cylinder	9611-41-638-0	9611-41-638-0	9611-41-638-0	9611-41-638-0	9611-41-638-0	9611-41-638-0
3	1	Piston	9612-1944-01	9612-1944-01	9612-1944-01	9612-1943-01	9612-1943-01	9612-1943-01
4 □	1	O-ring, NBR	9611-99-0052	9611-99-0052	9611-99-0052	9611-99-0052	9611-99-0052	9611-99-0052
5a	1	End cap, (Period 0011-)	9611-41-633-0	9611-41-633-0	9611-41-633-0	9611-41-633-0	9611-41-633-0	9611-41-633-0
	1	End cap, (Period 8301-0011)	31357-0740-1	31357-0740-1	31357-0740-1	31357-0740-1	31357-0740-1	31357-0740-1
6	1	Retaining ring	9611-40-2021	9611-40-2021	9611-40-2021	9611-40-2021	9611-40-2021	9611-40-2021
7 □	1	O-ring, NBR	9611-99-0396	9611-99-0396	9611-99-0396	9611-99-0396	9611-99-0396	9611-99-0396
8	1	Inner spring	9611-99-1629	9611-99-1629	9611-99-1629	9611-99-1629	9611-99-1629	9611-99-1629
9	1	Outer spring	9611-99-1631	9611-99-1631	9611-99-1631	9611-99-1631	9611-99-1631	9611-99-1631
10 □	2	Needle bearing	9611-99-1230	9611-99-1230	9611-99-1230	9611-99-1230	9611-99-1230	9611-99-1230
11 □	2	Needle bearing	9611-99-1231	9611-99-1231	9611-99-1231	9611-99-1231	9611-99-1231	9611-99-1231
12 □	2	Thrust bearing	9611-99-1236	9611-99-1236	9611-99-1236	9611-99-1236	9611-99-1236	9611-99-1236
14	1	Thrust plate	9611-41-646-0	9611-41-646-0	9611-41-646-0	9611-41-646-0	9611-41-646-0	9611-41-646-0
15 □	1	O-ring, NBR	9611-99-1233	9611-99-1233	9611-99-1233	9611-99-1233	9611-99-1233	9611-99-1233
16	1	Connex pin	9611-99-1235	9611-99-1235	9611-99-1235	9611-99-1235	9611-99-1235	9611-99-1235
17	1	Coupling	9611-41-644-0	9611-41-645-0	9612-0447-03	9611-41-644-0	9611-41-645-0	9612-0447-03
18	1	Activating ring, Noryl with screw ..	9611-41-669-0	9611-41-669-0	9611-41-669-0	9611-41-669-0	9611-41-669-0	9611-41-669-0
19	1	Water rejector (Period 8310-)	9611-41-775-0	9611-41-775-0	9611-41-775-0	9611-41-775-0	9611-41-775-0	9611-41-775-0

NC/NO for Altop

Pos	Qty	Denomination	NC	NC	NC	NO	NO	NO
			25-63.5 mm DN 25-50 Disc □ 8	76 mm DN 65-80 Disc □ 10	101.6 mm DN 100 Disc □ 12	25-63.5 mm DN 25-50 Disc □ 8	76 mm DN 65-80 Disc □ 10	101.6 mm DN 100 Disc □ 12
5b	1	End cap, Mark III	9611-41-674-0	9611-41-674-0	9611-41-674-0	9611-41-674-0	9611-41-674-0	9611-41-674-0

All other parts as above.

Service Kit for Actuator

Service kits, Air/Spring 9611-92-3010

Note:

Butterfly valve 101.6 mm / DN100 sold before 8906 = □ 10 mm

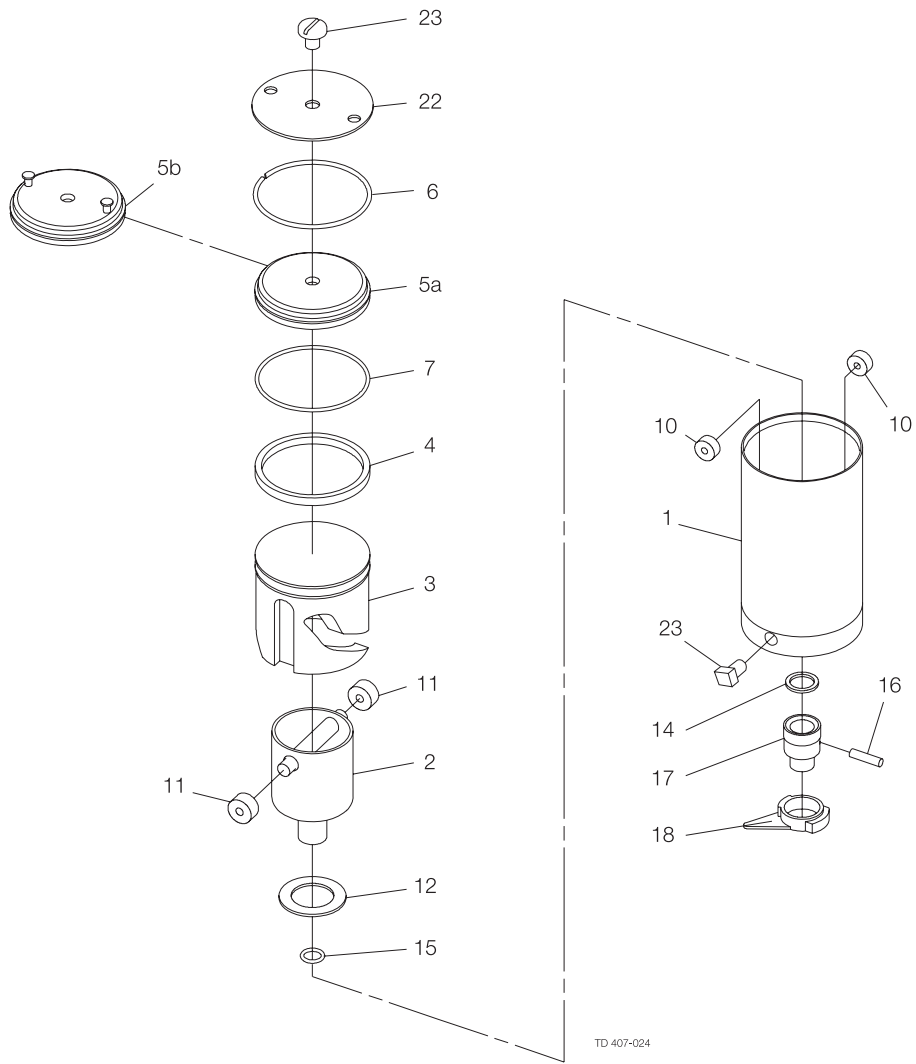
Butterfly valve DN 65 (ISO) sold before 8910 = □ 8 mm

Please check the square size of the disc when ordering spares.

Parts marked with □ are included in the service kit.

Recommended spare parts: Service kit.

900128/2



Pos	Qty	Denomination	25-63.5 mm	76 mm	101.6 mm
			DN 25-50	DN 65-80	DN 100
			Disc □ 8	Disc □ 10	Disc □ 12
1	1	Air Cylinder	9611-41-758-0	9611-41-758-0	9611-41-758-0
2	1	Rotating cylinder	9611-41-744-1	9611-41-744-1	9611-41-744-1
3	1	Piston	9611-41-752-0	9611-41-752-0	9611-41-752-0
4	□ 1	O-ring, NBR	9611-99-0052	9611-99-0052	9611-99-0052
5a	1	End cap, (Period 0011-)	9611-41-633-0	9611-41-633-0	9611-41-633-0
	1	End cap, (Period 8301-0011)	31357-0740-1	31357-0740-1	31357-0740-1
6	1	Retaining ring	9611-40-2021	9611-40-2021	9611-40-2021
7	□ 1	O-ring, NBR	9611-99-0396	9611-99-0396	9611-99-0396
10	□ 2	Needle bearing	9611-99-1230	9611-99-1230	9611-99-1230
11	□ 2	Needle bearing	9611-99-1231	9611-99-1231	9611-99-1231
12	□ 1	Thrust bearing	9611-99-1236	9611-99-1236	9611-99-1236
14	1	Thrust plate	9611-41-757-0	9611-41-757-0	9611-41-757-0
15	□ 1	O-ring, NBR	9611-99-1233	9611-99-1233	9611-99-1233
16	1	Connex pin	9611-99-1235	9611-99-1235	9611-99-1235
17	1	Coupling	9611-41-755-1	9611-41-756-1	9612-0448-02
18	1	Activating ring with screw	9611-41-669-0	9611-41-669-0	9611-41-669-0
22***	1	Retaining plate	9611-41-437-0	9611-41-437-0	9611-41-437-0
23	2	Threaded plug	9611-99-1221	9611-99-1221	9611-99-1221

*** Up to 8910 supplied without holes, not available anymore

Air/Air for Altop

Pos	Qty	Denomination	25-63.5 mm	76 mm	101.6 mm
			DN 25-50	DN 65-80	DN 100
			Disc □ 8	Disc □ 10	Disc □ 12
5b	1	End cap, Mark III	9611-41-674-0	9611-41-674-0	9611-41-674-0

All other parts as above.

Service Kits for Actuator

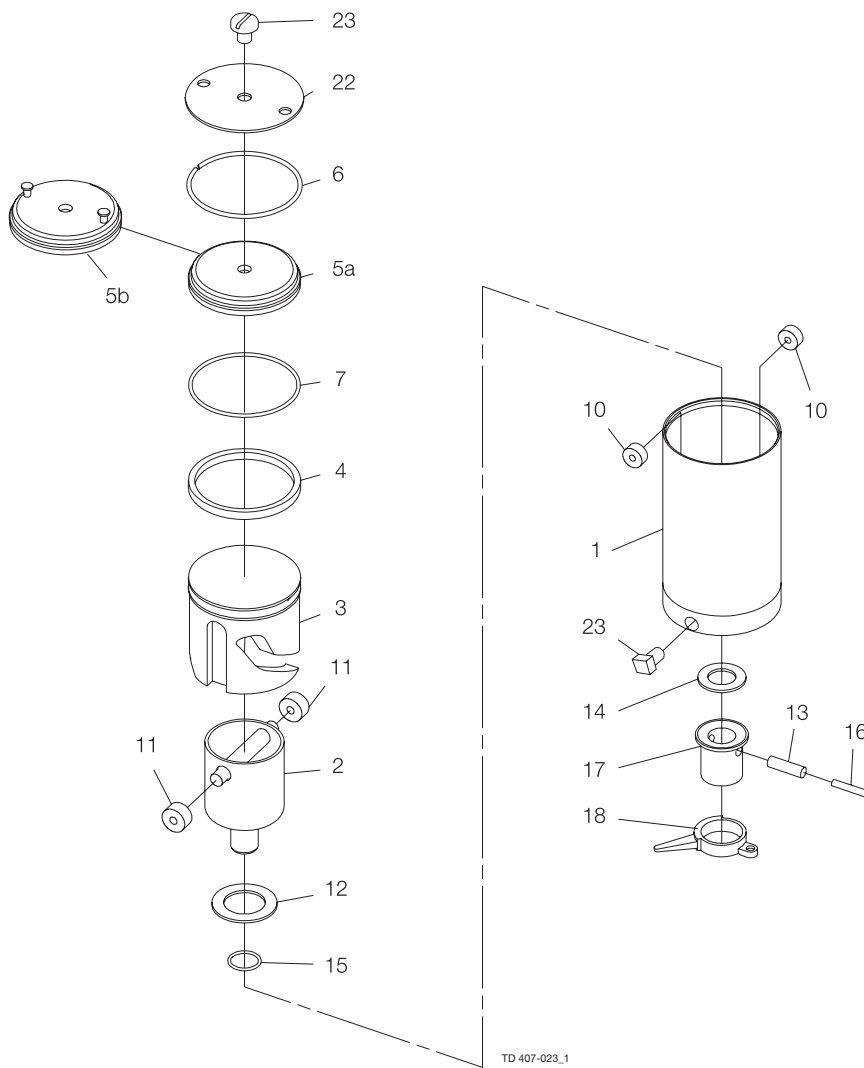
Service kits, Air/Air	9611-92-3011
-----------------------	--------------

Note:

Butterfly valve 101.6 mm / DN100 sold before 8906 = □ 10 mm
 Butterfly valve DN 65 (ISO) sold before 8910 = □ 8 mm
 Please check the square size of the disc when ordering spares.

Parts marked with □ are included in the service kit.

Recommended spare parts: Service kit.



Pos	Qty	Denomination	DN 125	DN 150
			Disc □ 14	Disc □ 15
1	1	Air Cylinder	9611-41-742-0	9611-41-742-0
2	1	Rotating cylinder	9611-41-744-0	9611-41-744-0
3	1	Piston	9611-41-752-0	9611-41-752-0
4	□ 1	O-ring, NBR	9611-99-0052	9611-99-0052
5a	1	End cap, (Period 0011-)	9611-41-633-0	9611-41-633-0
	1	End cap, (Period 8301-0011)	31357-0740-1	31357-0740-1
6	1	Retaining ring	9611-40-202-1	9611-40-202-1
7	□ 1	O-ring, NBR	9611-99-0396	9611-99-0396
10	□ 2	Needle bearing	9611-99-1230	9611-99-1230
11	□ 2	Needle bearing	9611-99-1231	9611-99-1231
12	□ 1	Thrust bearing	9611-99-1236	9611-99-1236
13	1	Connex pin	9611-99-1314	9611-99-1314
14	1	Thrust plate	9611-41-754-0	9611-41-754-0
15	□ 1	O-ring, NBR	9611-99-0030	9611-99-0030
16	1	Connex pin	9611-99-1313	9611-99-1313
17	1	Coupling	9612-2856-02	9611-41-747-1
18	1	Activating ring with screw	9611-41-665-0	9611-41-665-0
22***	1	Retaining plate	9611-41-437-0	9611-41-437-0
23	2	Threaded plug	9611-99-1221	9611-99-1221

*** Up to 8910 supplied without holes, not available anymore

Air/Air for Altop

Pos	Qty	Denomination	Disc □ 14	Disc □ 15
5b	1	End cap, Mark III	9611-41-674-0	9611-41-674-0

All other parts as above.

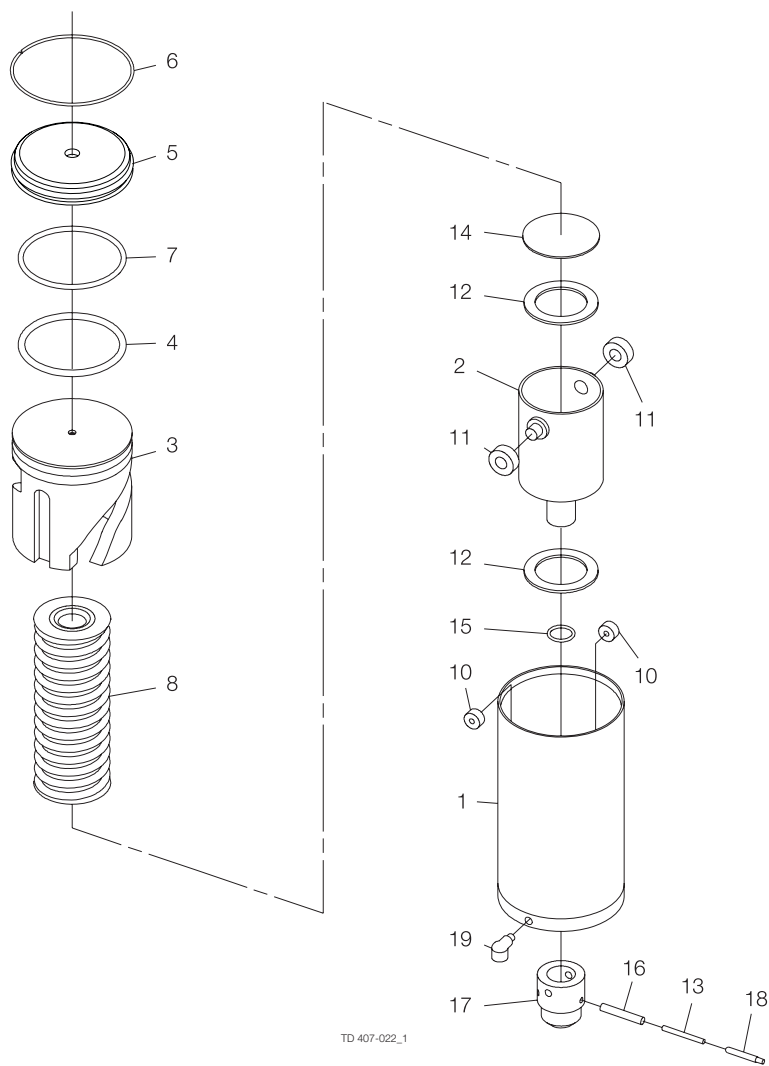
Service Kits for Actuator

Service kits, Air/Air	9611-92-3012
-----------------------------	--------------

Parts marked with □ are included in the service kit.

Recommended spare parts: Service kit.

900130/1



LKLA Actuator Air/Spring (NC-NO) ø133

Pos	Qty	Denomination	NC	NO	NC	NO	NC	NO
			101.6 mm DN 100 Disc □ 12	101.6 mm DN 100 Disc □ 12	DN 125 Disc □ 14	DN 125 Disc □ 14	DN 150 Disc □ 15	DN 150 Disc □ 15
1	1	Air cylinder	9612-2685-01	9612-2685-01	9612-2685-01	9612-2685-01	9612-2685-01	9612-2685-01
2	1	Rotating cylinder	9612-2678-01	9612-2678-01	9612-2678-01	9612-2678-01	9612-2678-01	9612-2678-01
3	1	Piston	9612-2700-01	9612-2680-01	9612-2700-01	9612-2680-01	9612-2700-01	9612-2680-01
4	□ 1	O-ring, NBR	9611-99-2367	9611-99-2367	9611-99-2367	9611-99-2367	9611-99-2367	9611-99-2367
5	1	End cap, (Period: 0011-)	9612-2675-01	9612-2675-01	9612-2675-01	9612-2675-01	9612-2675-01	9612-2675-01
	1	End cap, (Period: 9001 - 0011) ...	9612-2714-01	9612-2714-01	9612-2714-01	9612-2714-01	9612-2714-01	9612-2714-01
6	1	Retaining ring	9612-2682-01	9612-2682-01	9612-2682-01	9612-2682-01	9612-2682-01	9612-2682-01
7	□ 1	O-ring, NBR	9611-99-0035	9611-99-0035	9611-99-0035	9611-99-0035	9611-99-0035	9611-99-0035
8	1	Spring assembly	9612-2701-01	9612-2701-01	9612-2701-01	9612-2701-01	9612-2701-01	9612-2701-01
10	□ 2	Needle bearing	9611-99-1231	9611-99-1231	9611-99-1231	9611-99-1231	9611-99-1231	9611-99-1231
11	□ 2	Needle bearing	9611-99-2355	9611-99-2355	9611-99-2355	9611-99-2355	9611-99-2355	9611-99-2355
12	□ 2	Thrust bearing	9611-99-2347	9611-99-2347	9611-99-2347	9611-99-2347	9611-99-2347	9611-99-2347
13	1	Connex pin	9611-99-2357	9611-99-2357	9611-99-2357	9611-99-2357	9611-99-2357	9611-99-2357
14	1	Thrust plate	9612-2671-01	9612-2671-01	9612-2671-01	9612-2671-01	9612-2671-01	9612-2671-01
15	□ 1	O-ring, NBR	9611-99-0079	9611-99-0079	9611-99-0079	9611-99-0079	9611-99-0079	9611-99-0079
16	1	Connex pin	9611-99-2358	9611-99-2358	9611-99-2358	9611-99-2358	9611-99-2358	9611-99-2358
17	1	Coupling	9612-2715-01	9612-2715-01	9612-2715-02	9612-2715-02	9612-2715-03	9612-2715-03
18	1	Indication pin	9612-2719-01	9612-2719-01	9612-2719-01	9612-2719-01	9612-2719-01	9612-2719-01
19	1	Water rejector	9611-41-775-0	9611-41-775-0	9611-41-775-0	9611-41-775-0	9611-41-775-0	9611-41-775-0

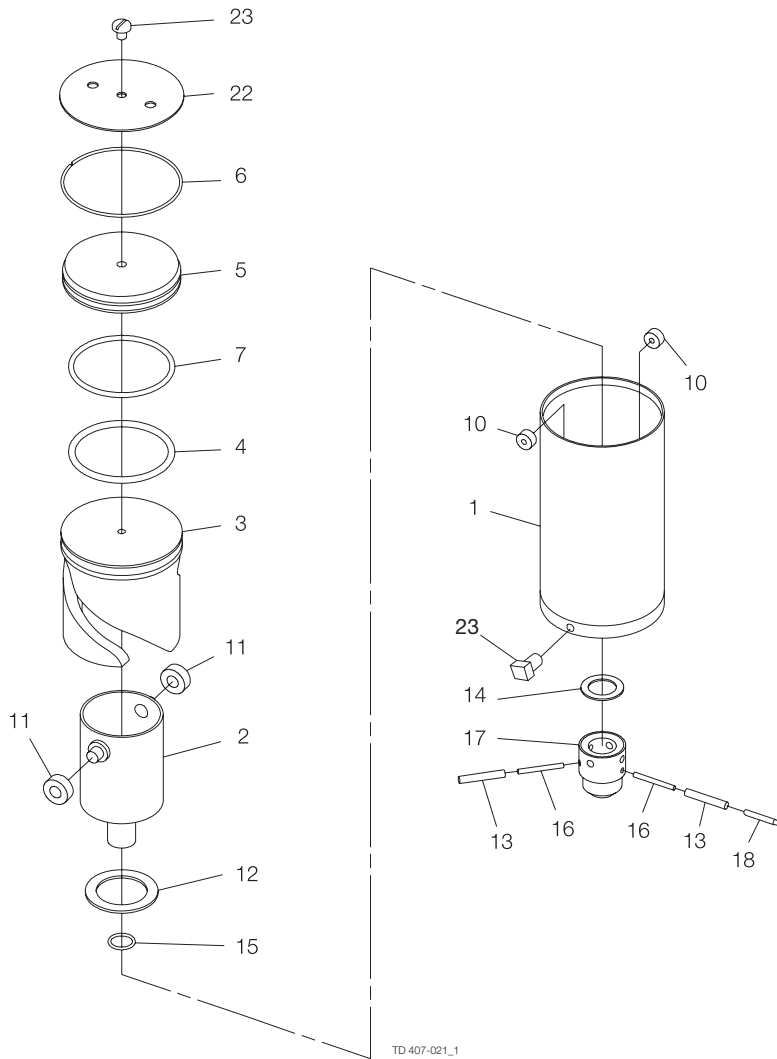
Service Kits for Actuator

Service kits, Air/Spring 9611-92-3020

Parts marked with □ are included in the service kit.

Recommended spare parts: Service kit.

900131



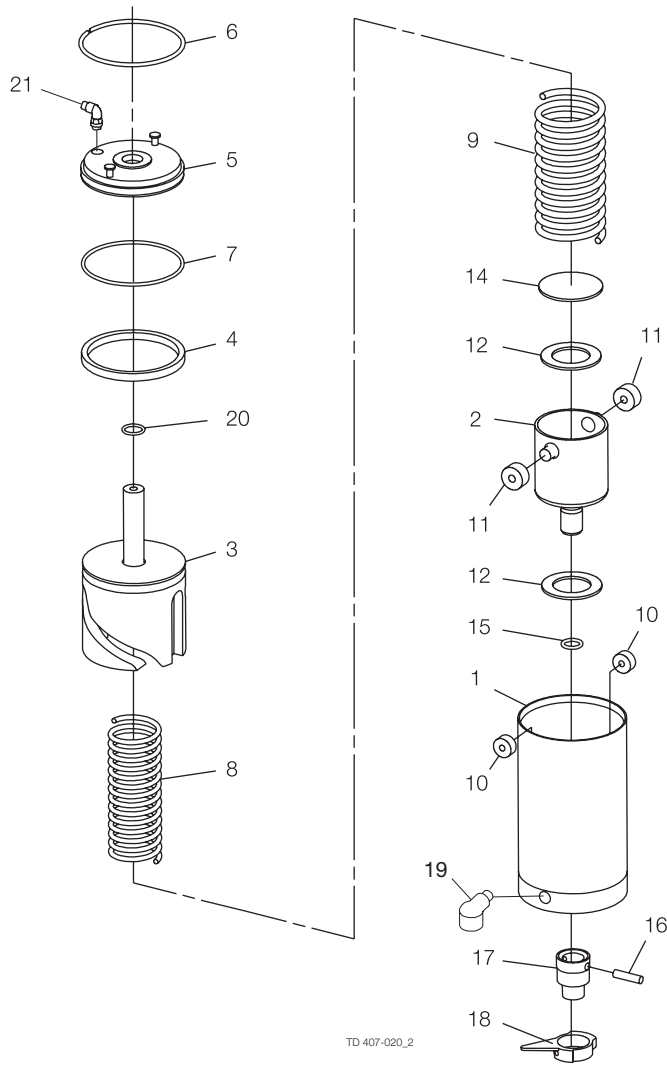
Pos	Qty	Denomination	101.6 mm		
			DN 100 Disc □ 12	DN 125 Disc □ 14	DN 150 Disc □ 15
1	1	Air Cylinder	9612-2685-01	9612-2685-01	9612-2685-01
2	1	Rotating cylinder	9612-2678-01	9612-2678-01	9612-2678-01
3	1	Piston	9612-2680-01	9612-2680-01	9612-2680-01
4	□ 1	O-ring, NBR	9611-99-2367	9611-99-2367	9611-99-2367
5	1	End cap, (Period: 0011-)	9612-2675-01	9612-2675-01	9612-2675-01
	1	End cap, (Period:9001 - 0011)	9612-2714-01	9612-2714-01	9612-2714-01
6	1	Retaining ring	9612-2682-01	9612-2682-01	9612-2682-01
7	□ 1	O-ring, NBR	9611-99-0035	9611-99-0035	9611-99-0035
10	□ 2	Needle bearing	9611-99-1231	9611-99-1231	9611-99-1231
11	□ 2	Needle bearing	9611-99-2355	9611-99-2355	9611-99-2355
12	□ 1	Thrust bearing	9611-99-2347	9611-99-2347	9611-99-2347
13	2	Connex pin	9611-99-2358	9611-99-2358	9611-99-2358
14	1	Thrust plate	9612-2804-01	9612-2804-01	9612-2804-01
15	□ 1	O-ring, NBR	9611-99-0079	9611-99-0079	9611-99-0079
16	2	Connex pin	9611-99-2357	9611-99-2357	9611-99-2357
17	1	Coupling	9612-2827-01	9612-2827-02	9612-2827-03
18	1	Indication pin	9612-2719-01	9612-2719-01	9612-2719-01
22	1	Retaining plate	9612-3486-01	9612-3486-01	9612-3486-01
23	1	Threaded plug	9611-99-1221	9611-99-1221	9611-99-1221

Service Kits for Actuator

Service kits, Air/Air 9611-92-3022

Parts marked with □ are included in the service kit.

Recommended spare parts: Service kit.



LKLA-T Actuator Air/Spring (NC-NO) ø85

Pos	Qty	Denomination	NC	NC	NC	NO	NO	NO
			25-63.5 mm DN 25-50 Disc □ 8	76 mm DN 65-80 Disc □ 10	101.6 mm DN 100 Disc □ 12	25-63.5 mm DN 25-50 Disc □ 8	76 mm DN 65-80 Disc □ 10	101.6 mm DN 100 Disc □ 12
1	1	Air cylinder	9611-41-758-0	9611-41-758-0	9611-41-758-0	9611-41-758-0	9611-41-758-0	9611-41-758-0
2	1	Rotating cylinder	9611-41-638-0	9611-41-638-0	9611-41-638-0	9611-41-638-0	9611-41-638-0	9611-41-638-0
3	1	Piston	9612-1939-02	9612-1939-02	9612-1939-02	9612-1939-01	9612-1939-01	9612-1939-01
4	□	1 O-ring, NBR	9611-99-0052	9611-99-0052	9611-99-0052	9611-99-0052	9611-99-0052	9611-99-0052
5	1	End cap	9612-1936-01	9612-1936-01	9612-1936-01	9612-1936-01	9612-1936-01	9612-1936-01
6	1	Retaining ring	9611-40-202-1	9611-40-202-1	9611-40-202-1	9611-40-202-1	9611-40-202-1	9611-40-202-1
7	□	1 O-ring, NBR	9611-99-0396	9611-99-0396	9611-99-0396	9611-99-0396	9611-99-0396	9611-99-0396
8	1	Inner spring	9611-99-1629	9611-99-1629	9611-99-1629	9611-99-1629	9611-99-1629	9611-99-1629
9	1	Outer spring	9611-99-1631	9611-99-1631	9611-99-1631	9611-99-1631	9611-99-1631	9611-99-1631
10	□	2 Needle bearing	9611-99-1230	9611-99-1230	9611-99-1230	9611-99-1230	9611-99-1230	9611-99-1230
11	□	2 Needle bearing	9611-99-1231	9611-99-1231	9611-99-1231	9611-99-1231	9611-99-1231	9611-99-1231
12	□	2 Thrust bearing	9611-99-1236	9611-99-1236	9611-99-1236	9611-99-1236	9611-99-1236	9611-99-1236
14	1	Thrust plate	9611-41-646-0	9611-41-646-0	9611-41-646-0	9611-41-646-0	9611-41-646-0	9611-41-646-0
15	□	1 O-ring, NBR	9611-99-1233	9611-99-1233	9611-99-1233	9611-99-1233	9611-99-1233	9611-99-1233
16	1	Connex pin	9611-99-1235	9611-99-1235	9611-99-1235	9611-99-1235	9611-99-1235	9611-99-1235
17	1	Coupling	9611-41-644-0	9611-41-645-0	9612-0447-03	9611-41-644-0	9611-41-645-0	9612-0447-03
18	1	Activating ring with screw	9611-41-669-0	9611-41-669-0	9611-41-669-0	9611-41-669-0	9611-41-669-0	9611-41-669-0
19	1	Water rejector (period 8310-)	9611-41-775-0	9611-41-775-0	9611-41-775-0	9611-41-775-0	9611-41-775-0	9611-41-775-0
20	□	1 O-ring, NBR	223404-21	223404-21	223404-21	223404-21	223404-21	223404-21
21	1	Air fitting	9611-99-1988	9611-99-1988	9611-99-1988	9611-99-1988	9611-99-1988	9611-99-1988

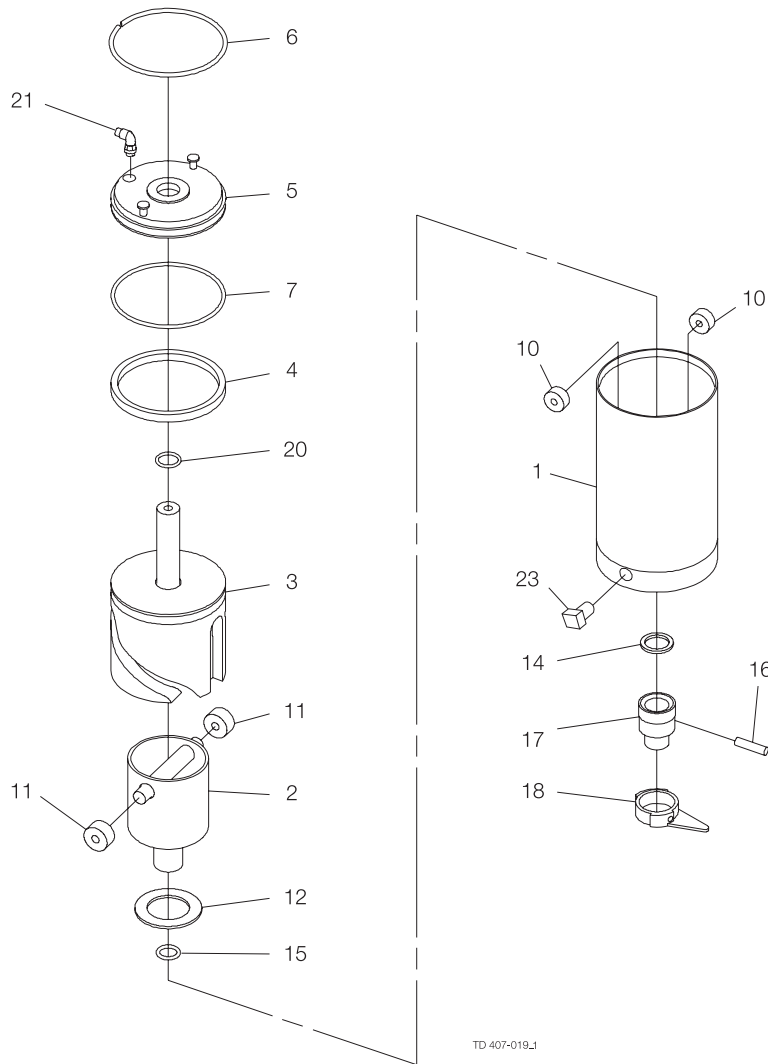
Service Kits for Actuator

Service kits, Air/Spring 9611-92-3021

Parts marked with □ are included in the service kit.

Recommended spare parts: Service kit.

900133/1



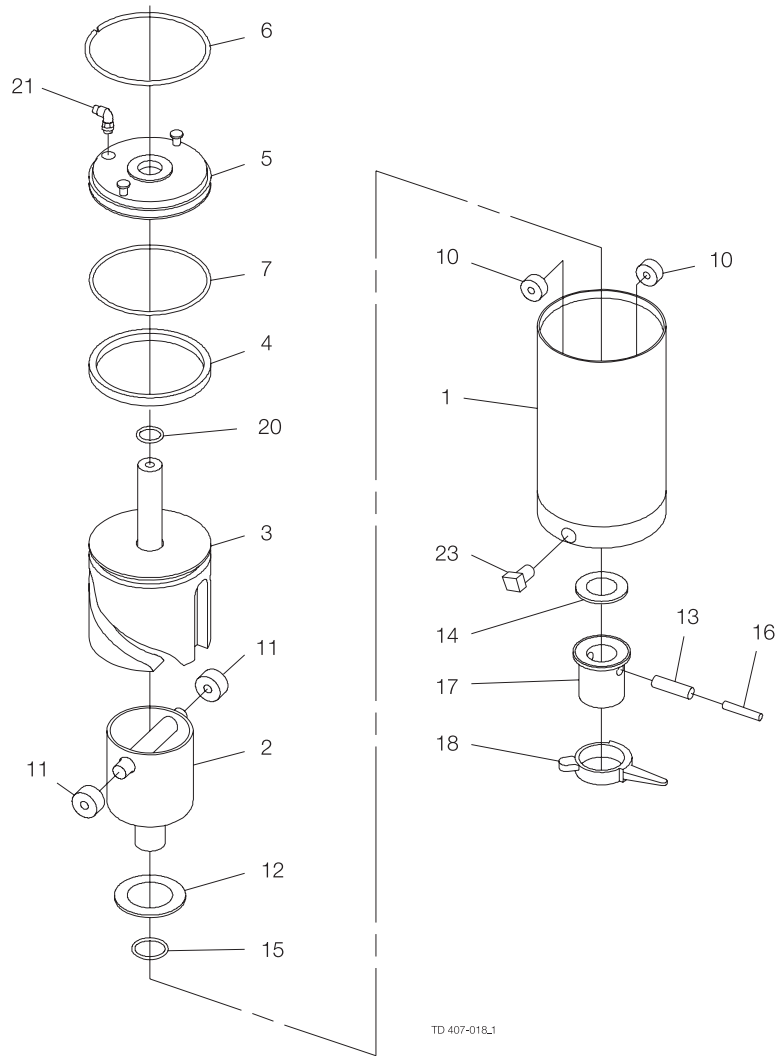
Pos	Qty	Denomination	25-63.5 mm	76 mm	101.6 mm
			DN 25-50	DN 65-80	DN 100
			Disc □ 8	Disc □ 10	Disc □ 12
1	1	Air cylinder	9611-41-758-0	9611-41-758-0	9611-41-758-0
2	1	Rotating cylinder	9611-41-744-1	9611-41-744-1	9611-41-744-1
3	1	Piston	9612-1939-03	9612-1939-03	9612-1939-03
4	□ 1	O-ring, NBR	9611-99-0052	9611-99-0052	9611-99-0052
5	1	End cap	9612-1936-01	9612-1936-01	9612-1936-01
6	1	Retaining ring	9611-40-202-1	9611-40-202-1	9611-40-202-1
7	□ 1	O-ring, NBR	9611-99-0396	9611-99-0396	9611-99-0396
10	□ 2	Needle bearing	9611-99-1230	9611-99-1230	9611-99-1230
11	□ 2	Needle bearing	9611-99-1231	9611-99-1231	9611-99-1231
12	□ 1	Thrust bearing	9611-99-1236	9611-99-1236	9611-99-1236
14	1	Thrust plate	9611-41-757-0	9611-41-757-0	9611-41-757-0
15	□ 1	O-ring, NBR	9611-99-1233	9611-99-1233	9611-99-1233
16	1	Connex pin	9611-99-1235	9611-99-1235	9611-99-1235
17	1	Coupling	9611-41-755-1	9611-41-756-1	9612-0448-02
18	1	Activating ring with screw	9611-41-669-0	9611-41-669-0	9611-41-669-0
20	□ 1	O-ring, NBR	223404-21	223404-21	223404-21
21	1	Air fitting	9611-99-1988	9611-99-1988	9611-99-1988
23	1	Threaded plug	9611-99-1221	9611-99-1221	9611-99-1221

Service Kits for Actuator

Service kits, Air/Air 9611-92-3023

Parts marked with □ are included in the service kit.

Recommended spare parts: Service kit.



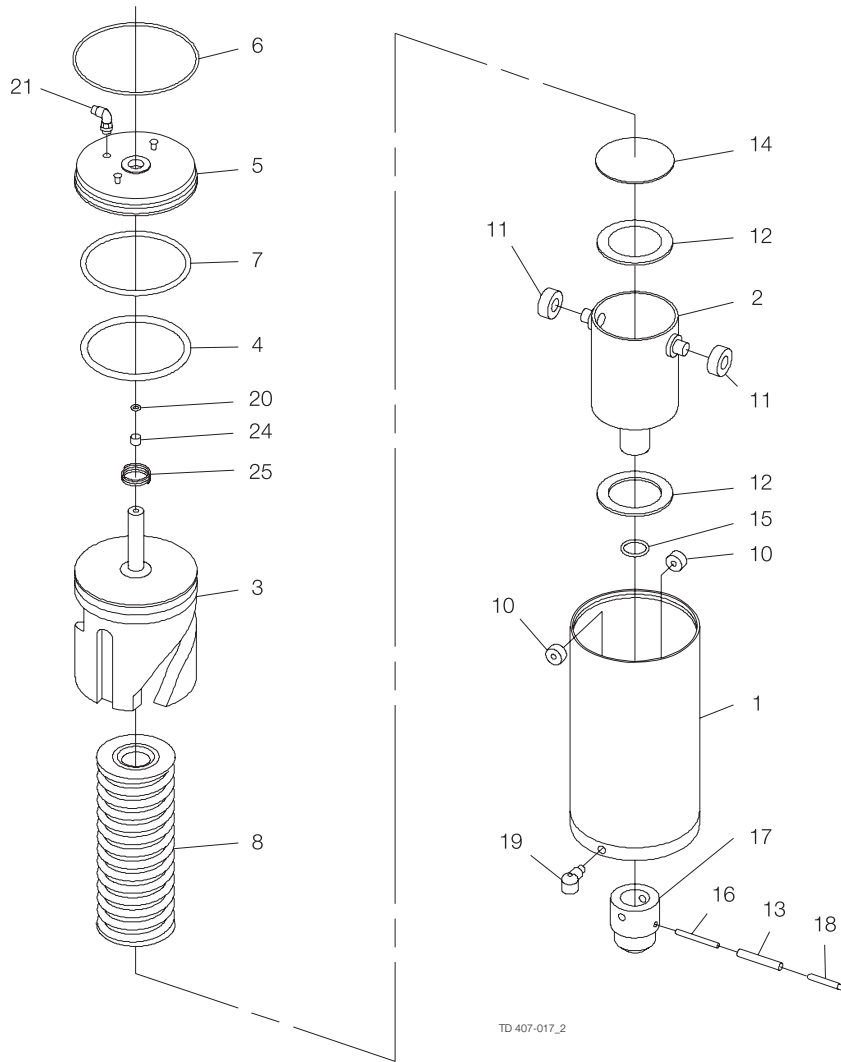
Pos	Qty	Denomination	DN 125	DN 150
			Disc □ 14	Disc □ 15
1	1	Air cylinder	9611-41-742-0	9611-41-742-0
2	1	Rotating cylinder	9611-41-744-0	9611-41-744-0
3	1	Piston	9612-1939-03	9612-1939-03
4	□ 1	O-ring, NBR	9611-99-0052	9611-99-0052
5	1	End cap	9612-1936-01	9612-1936-01
6	1	Retaining ring	9611-40-202-1	9611-40-202-1
7	□ 1	O-ring, NBR	9611-99-0396	9611-99-0396
10	□ 2	Needle bearing	9611-99-1230	9611-99-1230
11	□ 2	Needle bearing	9611-99-1231	9611-99-1231
12	□ 1	Thrust bearing	9611-99-1236	9611-99-1236
13	1	Connex pin	9611-99-1314	9611-99-1314
14	1	Thrust plate	9611-41-754-0	9611-41-754-0
15	□ 1	O-ring, NBR	9611-99-0030	9611-99-0030
16	1	Connex pin	9611-99-1313	9611-99-1313
17	1	Coupling	9612-2856-02	9611-41-747-1
18	1	Activating ring with screw	9611-41-665-0	9611-41-665-0
20	□ 1	O-ring, NBR	223404-21	223404-21
21	1	Air fitting	9611-99-1988	9611-99-1988
23	1	Threaded plug	9611-99-1221	9611-99-1221

Service Kits for Actuator

Service kits, Air/Air 9611-92-3024

Parts marked with □ are included in the service kit.

Recommended spare parts: Service kit.



LKLA-T Actuator Air/Spring (NC-NO) ø133

Pos	Qty	Denomination	NC	NO	NC	NO	NC	NO
			101.6 mm DN 100 Disc □ 12	101.6 mm DN 100 Disc □ 12	DN 125 Disc □ 14	DN 125 Disc □ 14	DN 150 Disc □ 15	DN 150 Disc □ 15
1	1	Air cylinder	9612-2685-01	9612-2685-01	9612-2685-01	9612-2685-01	9612-2685-01	9612-2685-01
2	1	Rotating cylinder	9612-2678-01	9612-2678-01	9612-2678-01	9612-2678-01	9612-2678-01	9612-2678-01
3	1	Piston	9612-3699-01	9612-3699-02	9612-3699-01	9612-3699-02	9612-3699-01	9612-3699-02
4	□	O-ring, NBR	9611-99-2367	9611-99-2367	9611-99-2367	9611-99-2367	9611-99-2367	9611-99-2367
5	1	End cap	9612-2714-02	9612-2714-02	9612-2714-02	9612-2714-02	9612-2714-02	9612-2714-02
6	1	Retaining ring	9612-2682-01	9612-2682-01	9612-2682-01	9612-2682-01	9612-2682-01	9612-2682-01
7	□	O-ring, NBR	9611-99-0035	9611-99-0035	9611-99-0035	9611-99-0035	9611-99-0035	9611-99-0035
8	1	Spring assembly	9612-2701-01	9612-2701-01	9612-2701-01	9612-2701-01	9612-2701-01	9612-2701-01
10	□	Needle bearing	9611-99-1231	9611-99-1231	9611-99-1231	9611-99-1231	9611-99-1231	9611-99-1231
11	□	Needle bearing	9611-99-2355	9611-99-2355	9611-99-2355	9611-99-2355	9611-99-2355	9611-99-2355
12	□	Thrust bearing	9611-99-2347	9611-99-2347	9611-99-2347	9611-99-2347	9611-99-2347	9611-99-2347
13	1	Connex pin	9611-99-2357	9611-99-2357	9611-99-2357	9611-99-2357	9611-99-2357	9611-99-2357
14	1	Thrust plate	9612-2671-01	9612-2671-01	9612-2671-01	9612-2671-01	9612-2671-01	9612-2671-01
15	□	O-ring, NBR	9611-99-0079	9611-99-0079	9611-99-0079	9611-99-0079	9611-99-0079	9611-99-0079
16	1	Connex pin	9611-99-2358	9611-99-2358	9611-99-2358	9611-99-2358	9611-99-2358	9611-99-2358
17	1	Coupling	9612-2715-01	9612-2715-01	9612-2715-02	9612-2715-02	9612-2715-03	9612-2715-03
18	1	Indication pin	9612-2719-01	9612-2719-01	9612-2719-01	9612-2719-01	9612-2719-01	9612-2719-01
19	1	Water rejector (period 8310-)	9611-41-775-0	9611-41-775-0	9611-41-775-0	9611-41-775-0	9611-41-775-0	9611-41-775-0
20	□	O-ring	223404-21	223404-21	223404-21	223404-21	223404-21	223404-21
21	1	Air fitting	9611-99-1988	9611-99-1988	9611-99-1988	9611-99-1988	9611-99-1988	9611-99-1988
24	□	Guiding ring	9612-3698-01	9612-3698-01	9612-3698-01	9612-3698-01	9612-3698-01	9612-3698-01
25	1	Spring	9612-3700-01	9612-3700-01	9612-3700-01	9612-3700-01	9612-3700-01	9612-3700-01

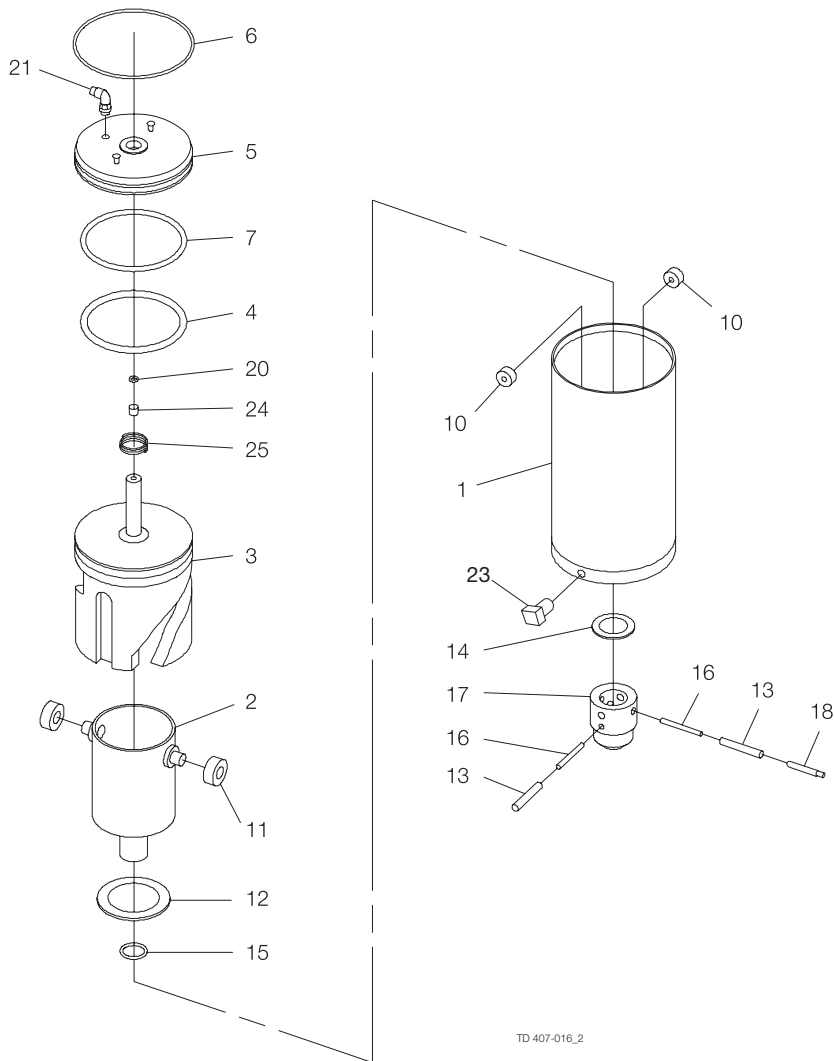
Service Kits for Actuator

Service kits, Air/Spring 9611-92-3056

Parts marked with □ are included in the service kit.

Recommended spare parts: Service kit.

900136



TD 407-016_2

Pos	Qty	Denomination	9612-3749-08		
			101.6 mm DN 100 Disc □ 12	9612-3749-13 DN 125 Disc □ 14	9612-3749-18 DN 150 Disc □ 15
1	1	Air cylinder	9612-2685-01	9612-2685-01	9612-2685-01
2	1	Rotating cylinder	9612-2678-01	9612-2678-01	9612-2678-01
3	1	Piston	9612-3699-02	9612-3699-02	9612-3699-02
4	□ 1	O-ring, NBR	9611-99-2367	9611-99-2367	9611-99-2367
5	1	End cap	9612-2714-02	9612-2714-02	9612-2714-02
6	1	Retaining ring	9612-2682-01	9612-2682-01	9612-2682-01
7	□ 1	O-ring, NBR	9611-99-0035	9611-99-0035	9611-99-0035
10	□ 2	Needle bearing	9611-99-1231	9611-99-1231	9611-99-1231
11	□ 2	Needle bearing	9611-99-2355	9611-99-2355	9611-99-2355
12	□ 1	Thrust bearing	9611-99-2347	9611-99-2347	9611-99-2347
13	2	Connex pin	9611-99-2358	9611-99-2358	9611-99-2358
14	1	Thrust plate	9612-2804-01	9612-2804-01	9612-2804-01
15	□ 1	O-ring, NBR	9611-99-0079	9611-99-0079	9611-99-0079
16	2	Connex pin	9611-99-2357	9611-99-2357	9611-99-2357
17	1	Coupling	9612-2827-01	9612-2827-02	9612-2827-03
18	1	Indication pin	9612-2719-01	9612-2719-01	9612-2719-01
20	□ 1	O-ring, NBR	223404-21	223404-21	223404-21
21	1	Air fitting	9611-99-1988	9611-99-1988	9611-99-1988
23	1	Threaded plug	9611-99-1221	9611-99-1221	9611-99-1221
24	□ 1	Guiding band	9612-3698-01	9612-3698-01	9612-3698-01
25	1	Spring	9612-3700-01	9612-3700-01	9612-3700-01

Service Kits for Actuator

Service kits, Air/Air 9611-92-3057

Parts marked with □ are included in the service kit.

Recommended spare parts: Service kit.

How to contact Alfa Laval

Contact details for all countries are continually updated on our website.

Please visit www.alfalaval.com to access the information directly.

© Alfa Laval Corporate AB

This document and its contents is owned by Alfa Laval Corporate AB and protected by laws governing intellectual property and thereto related rights. It is the responsibility of the user of this document to comply with all applicable intellectual property laws. Without limiting any rights related to this document, no part of this document may be copied, reproduced or transmitted in any form or by any means (electronic, mechanical, photocopying, recording, or otherwise), or for any purpose, without the expressed permission of Alfa Laval Corporate AB. Alfa Laval Corporate AB will enforce its rights related to this document to the fullest extent of the law, including the seeking of criminal prosecution.